

RVX

SPEAKER


OWNER'S MANUAL




REFERENCE SERIES

IMPORTANT SAFETY INSTRUCTIONS

1. READ these instructions.
2. KEEP these instructions.
3. HEED all warnings.
4. FOLLOW all instructions.
5. DO NOT use this apparatus near water.
6. CLEAN ONLY with dry cloth.
7. DO NOT block any ventilation openings. Install in accordance with the manufacturer's instructions.
8. DO NOT install near any heat sources such as radiators, heat registers, stoves, or other apparatus (including amplifiers) that produce heat.
9. DO NOT defeat the safety purpose of the polarized or grounding type plug. A polarized plug has two blades with one wider than the other. A grounding type plug has two blades and a third grounding prong. The wider blade or the third prong are provided for your safety. If the provided plug does not fit into your outlet, consult an electrician for replacement of the obsolete outlet.
10. PROTECT the power cord from being walked on or pinched, particularly at plugs, convenience receptacles, and the point where they exit from the apparatus.
11. ONLY USE attachments/accessories specified by the manufacturer.
12. USE only with a cart, stand, tripod, bracket, or table specified by the manufacturer, or sold with the apparatus. When a cart is used, use caution when moving the cart/apparatus combination to avoid injury from tip-over.
13. UNPLUG this apparatus during lightning storms or when unused for long periods of time.
14. REFER all servicing to qualified service personnel. Servicing is required when the apparatus has been damaged in any way, such as power-supply cord or plug is damaged, liquid has been spilled or objects have fallen into the apparatus, the apparatus has been exposed to rain or moisture, does not operate normally, or has been dropped.

 This symbol indicates that there are important operating and maintenance instructions in the literature accompanying this unit.

 This symbol indicates that dangerous voltage constituting a risk of electric shock is present within this unit.

WARNING: To reduce the risk of fire or electrical shock, do not expose this apparatus to rain or moisture.



WARNING: Voltages in this equipment are hazardous to life. No user-serviceable parts inside. Refer all servicing to qualified service personnel.

CAUTION: Changes or modifications not expressly approved by the manufacturer could void the user's authority to operate this device.

ABOUT YOUR KLIPSCH PURCHASE

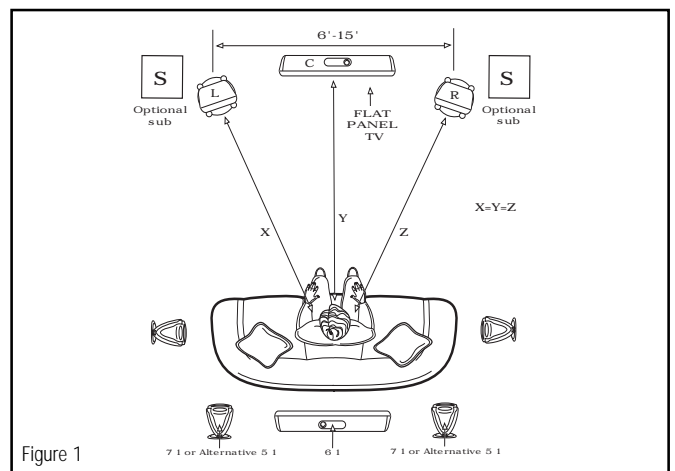
Thank you for your purchase of Klipsch speakers. After reading this manual and connecting your system, you will hear the result of over 55 years of stringent engineering and class-leading research and development. Like all Klipsch products, your speakers feature Klipsch Horn-loaded Technology—the guiding design for the first Klipschorn® developed in 1946 and for every product that has followed. Horn-loading allows your speakers to deliver high sensitivity, low distortion, flat frequency response and wide dispersion, which translates to unequalled power, detail and dynamics, the hallmarks of "The Klipsch Sound." Please be sure to fill out the included Warranty card or register online at www.klipsch.com so we are better able to serve you. Again, thank you for choosing Klipsch and we hope that your speakers bring life to your music and movies for many years.

GRILLE

The speaker can be used with or without its grille in place. The grille attaches magnetically; you can remove the grille easily by pulling it forward and replace it simply by lining up its edges with the those of the speaker cabinet.

PLACEMENT

Your Reference RVX speakers are designed for maximum flexibility and will perform well in a wide variety of configurations. Figure 1 shows a typical home theater setup, with a center-channel speaker (RVX-42) on top of a TV set, left and right front speakers (either RVX-42 or RVX-54) flanking the screen, another pair of speakers (RSX-4 or RSX-5) to the sides of the listening area for the main surrounds, and a third pair behind for the surround back channel in a 7.1-channel (Dolby Digital EX or DTS-ES) system. Below are specific placement recommendations for each function.



Center-Channel Speaker: Center the speaker directly above or below your video screen. The integral stand allows the speaker to be placed on top of the TV (or on a shelf just above or below it) or mounted on the wall (see wall mounting instructions). Ideally, the speaker's front baffle should be flush with the front of the screen. See stand adjustment section for more detail.

Front Left and Right Speakers: The front left and right speakers should be approximately in line with your video screen and equidistant from it. The distance from the screen is not critical, though wide separation will tend to make the sound more spacious. Avoid having either speaker closer than 2 feet to a side wall, and if they are on shelves or in a cabinet, place them so that their fronts are at least flush with the cabinet's front. Place them at seated ear height if that is practical.

Left and Right Surround Speakers: Your RVX speakers have been designed to acoustically and cosmetically match the Klipsch Reference Satellite family of speakers. Please see your authorized Klipsch dealer to see which Reference Satellite model is right for you.

The best location for speakers employed as surround speakers is on or against the walls to the sides of the seating area, anywhere from adjacent to the listening position to about 20 degrees behind it. Mount them above the ear height of seated listeners (5'-7' high) but avoid placing them up against the ceiling. Aim them straight across the room or back slightly toward the rear wall for a more diffuse sound or toward the listening position for a more direct sound. The design of the Reference Satellite models allows great flexibility, however, and good results can be achieved with configurations that depart significantly from the ideal.



Surround Back Speakers: If your electronics support Dolby Digital EX, THX Surround EX, or DTS-ES 7.1 or 6.1-channel surround, you can place one or two speakers behind the seating area to serve as surround back speakers. As with the left and right surrounds, the optimum location is above seated ear level. If you are using just one back surround speaker, it should be centered behind the listening area; if you are using two, they should be spaced fairly close together. With this type of system, the regular left and right surrounds should be located adjacent to the seating area rather than behind it.

STAND ADJUSTMENT AND WALL MOUNTING

The RVX-42's attach to their stands via a bolt that allows them to be used in either the vertical orientation as they are shipped for shelf top use or horizontally, as is typical for center channel use. To adjust the base, remove the stand bolt tool from the rear of the unit and remove the bolt from the stand. Reposition the stand in the center mounting point and then replace the stand bolt tool in the opening that the stand bolt was previously installed within. (See Figure 2).

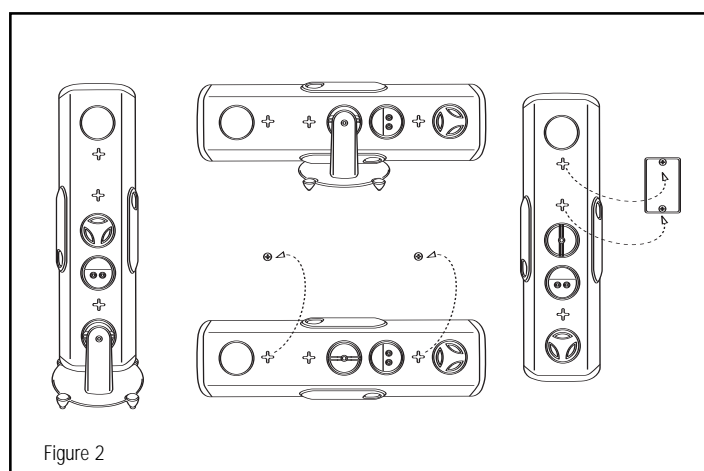


Figure 2

You may also use an optional wall or ceiling mount that will fit the provided 3/8" – 16 inserts. Please see your authorized Klipsch dealer to determine which model is right for you.

To install the RVX-42, follow the instructions below:

1. Locate the included wall mount template with bubble level and position on the wall in the desired location.
2. Mark the screw locations for the model you are installing.
3. Screw #8 pan head wood screws (at least two inches in length) into a wood stud or dry wall anchors with the appropriate load rating. Leave the screw heads protruding from the wall surface approximately 1/4" and adjust as needed when hanging the speaker.
4. Attach the supplied self-stick rubber pads to the rear of the speaker.
5. Connect the speaker wire to the speakers binding posts. See "Speaker to Amplifier: Keeping it Straight"
6. Flip the switch at the top of the rear of the speaker to "On Wall" for accurate bass response.
7. Hook the speaker keyholes on the screw heads protruding from the wall. Adjust the height of the screw heads for a snug fit. Do not over-tighten.
8. Fine tune the speaker's angle if using an optional wall mount that fits the provided 3/8" – 16 inserts.

CONNECTIONS

Note: Proper connection of your speakers to your amplifier or receiver is vital to obtaining good sound quality. Please follow these directions carefully. Sloppy connections can cause amplifier malfunction or damage.

Klipsch Reference Series speakers are wired internally with multiple gauges of high-purity copper wire, carefully selected and wound to ensure optimum signal transfer at all frequencies. You will obtain best performance from your speakers if you connect them to your amplifier or receiver with similar quality wire available from your dealer. We recommend that you use 18-gauge or heavier (lower-gauge) stranded copper wire. Use a lower gauge (heavier) wire for longer runs to reduce the amount of amplifier power lost due to the wire's resistance.

BUT FIRST: TYPES OF CONNECTORS

Bare wire — Pull the two conductors apart for about an inch and strip approximately 1/4" of insulation from the end of each. (A wire stripper will simplify this, but you can use an ordinary pocket knife to cut around and through the insulation down to the wire.) Twist the strands of wire on each individual conductor tightly together. Loosen the nuts on a pair of binding posts until the holes through the metal posts are exposed, then insert the bare wire through the holes. Screw the nuts down finger-tight on the wire. Make sure that no strands of wire are touching from one binding post to the other or to any strands from the other conductor. Failure to observe this precaution at either end of the connection can result in amplifier malfunction or damage.

Pins — Many pre-made speaker cables are terminated with metal pins. Loosen the nuts on a pair of binding posts until the holes through the metal posts are exposed, then insert the pins through the holes. Screw the nuts down finger-tight on the pins — do not over-tighten. Make sure that there is no metal-to-metal contact between the two pins or binding posts. Failure to observe this precaution at either end of the connection can result in amplifier malfunction or damage.

Spade lugs — Some speaker cables are terminated with U-shaped connectors called spade lugs. Loosen the nuts on a pair of binding posts and slip the spade lugs around the metal posts. Screw the nuts down finger-tight on the lugs and inspect to ensure they have remained firmly in place. Make sure that there is no metal-to-metal contact between the two lugs or binding posts. Failure to observe this precaution at either end of the connection can result in amplifier malfunction or damage.

OTHER TYPES OF SPECIALTY CONNECTORS ARE AVAILABLE TO FACILITATE HOOKING UP YOUR SPEAKERS. PLEASE CONSULT YOUR AUTHORIZED KLIPSCH DEALER FOR SUGGESTIONS AND FURTHER DETAILS.

SPEAKERS TO AMPLIFIER: KEEPING IT STRAIGHT

One of the most important things about hooking up your speakers is keeping them in the same polarity, or phase. If they are connected out of phase, bass and sound localization will be degraded.

The easiest way to ensure that your speakers are wired in phase is to always connect the positive and negative output terminals on your amplifier or receiver to the matching input terminals on your speakers: positive ("+", color-coded red) to positive ("+", color-coded black) to negative. (See Figure 3).

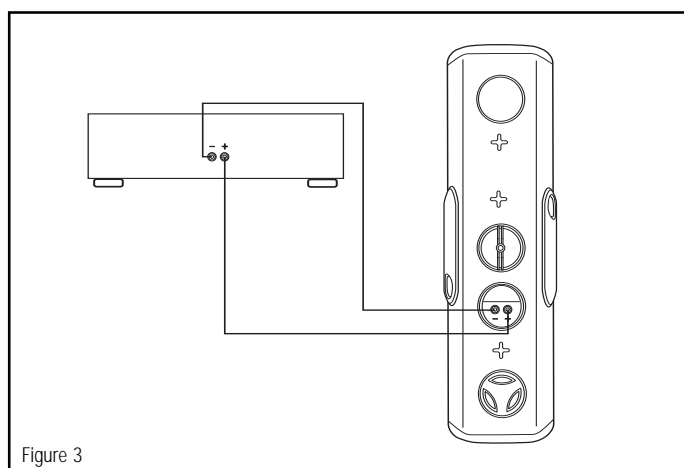


Figure 3

Most pre-terminated speaker cables have color-coded connectors that make it easy to match output and inputs correctly. If yours do not, or if you are making your own out of paired, two-conductor wire, look for identifying marks on the insulation of the two conductors. Normally there will be printing, a stripe or a molded ridge along one of the conductors.

REFERENCE SERIES

BASS MANAGEMENT SETTINGS AND SUBWOOFER ADJUSTMENT

Digital surround-sound receivers, amplifiers, and processors use what is known as bass management to ensure that low frequencies in the various channels are sent to speakers that can handle them and away from small speakers that cannot. The Reference Satellites require a subwoofer (or large front left and right speakers) to reproduce low bass. In your receiver or processor's speaker setup menu, set all channels connected to Reference Satellites to "Small." If you are depending on large front speakers for bass, set the channels feeding them to "Large." And if you are using a subwoofer, set Subwoofer to "On" or "Yes."

Most bass-management circuits employ an 80Hz or 100Hz crossover frequency, which is a good match to the Reference Satellites' lower limit. If your system offers a choice, we recommend starting with 90Hz or 100Hz. And if your subwoofer is not connected to a dedicated subwoofer output, begin with its internal crossover adjusted to around 90Hz or 100Hz.

CARE AND CLEANING

The only thing you should ever need to do to your speakers is dust them occasionally. Never apply any abrasive or solvent-based cleaner or any harsh detergent. You can clean the grilles with the brush attachment of a vacuum cleaner.

WARRANTY — U.S. AND CANADA ONLY

The Warranty below is valid only for sales to consumers in the United States or Canada. KLIPSCH, L.L.C. ("KLIPSCH") warrants this product to be free from defects in materials and workmanship (subject to the terms set forth below) for a period of five (5) years from the date of purchase. During the Warranty period, KLIPSCH will repair or replace (at KLIPSCH's option) this product or any defective parts (excluding electronics and amplifiers). For products that have electronics or amplifiers, the Warranty on those parts is for a period of two (2) years from the date of purchase.

To obtain Warranty service, please contact the KLIPSCH authorized dealer from which you purchased this product. If your dealer is not equipped to perform the repair of your KLIPSCH product, it can be returned, freight paid, to KLIPSCH for repair. Please call KLIPSCH at 1-800-KLIPSCH for instructions. You will need to ship this product in either its original packaging or packaging affording an equal degree of protection.

Proof of purchase in the form of a bill of sale or receipted invoice, which is evidence that this product is within the Warranty period, must be presented or included to obtain Warranty service.

This Warranty is invalid if (a) the factory-applied serial number has been altered or removed from this product or (b) this product was not purchased from a KLIPSCH authorized dealer. You may call 1-800-KLIPSCH to confirm that you have an unaltered serial number and/or you purchased from a KLIPSCH authorized dealer.

This Warranty is only valid for the original purchaser and will automatically terminate prior to expiration if this product is sold or otherwise transferred to another party.

This Warranty does not cover cosmetic damage or damage due to misuse, abuse, negligence, acts of God, accident, commercial use or modification of, or to any part of, the product. This Warranty does not cover damage due to improper operation, maintenance or installation, or attempted repair by anyone other than KLIPSCH or a KLIPSCH dealer which is authorized to do KLIPSCH warranty work. Any unauthorized repairs will void this Warranty. This Warranty does not cover product sold AS IS or WITH ALL FAULTS.

REPAIRS OR REPLACEMENTS AS PROVIDED UNDER THIS WARRANTY ARE THE EXCLUSIVE REMEDY OF THE CONSUMER. KLIPSCH SHALL NOT BE LIABLE FOR ANY INCIDENTAL OR CONSEQUENTIAL DAMAGES FOR BREACH OF ANY EXPRESS OR IMPLIED WARRANTY ON THIS PRODUCT. EXCEPT TO THE EXTENT PROHIBITED BY LAW, THIS WARRANTY IS EXCLUSIVE AND IN LIEU OF ALL OTHER EXPRESS AND IMPLIED WARRANTIES WHATSOEVER, INCLUDING BUT NOT LIMITED TO, THE WARRANTY OF MERCHANTABILITY AND FITNESS FOR A PRACTICAL PURPOSE.

Some states do not allow the exclusion or limitation of incidental or consequential damages or implied warranties so the above exclusions may not apply to you. This Warranty gives you specific legal rights, and you may have other rights, which vary from state to state.

WARRANTY OUTSIDE THE UNITED STATES AND CANADA

The Warranty on this product if it is sold to a consumer outside of the United States or Canada shall comply with applicable law and shall be the sole responsibility of the distributor that supplied this product. To obtain any applicable warranty service, please contact the dealer from which you purchased this product, or the distributor that supplied this product.

IMPORTANTES CONSIGNES DE SÉCURITÉ

1. LIRE ces instructions.
2. CONSERVER ces instructions.
3. RESPECTER tous les avertissements.
4. SUIVRE toutes les instructions.
5. NE PAS utiliser cet appareil à proximité de l'eau.
6. NETTOYER UNIQUEMENT avec un chiffon sec.
7. NE PAS OBSTRUER les ouïes de ventilation. Installer conformément aux instructions du constructeur.
8. Ne pas installer à proximité de sources de chaleur telles que les radiateurs, les grilles de chauffage, les cuisinières et les autres appareils (notamment les amplificateurs) dégagant de la chaleur.
9. NE PAS neutraliser le dispositif de sécurité que constitue la fiche polarisée ou à broche de terre. Une fiche polarisée a une lame plus large que l'autre. Une fiche à broche de terre est munie de deux lames et d'une troisième broche pour la terre. La lame large et la troisième broche sont prévues pour la sécurité de l'utilisateur. Si la fiche fournie ne rentre pas dans votre prise de courant, demander à un électricien de remplacer cette prise d'un type ancien.
10. PROTÉGER le cordon d'alimentation en s'assurant qu'il ne risque pas d'être piétiné ou écrasé, en particulier près des fiches, des blocs multiprises et de son point de sortie de l'appareil.
11. UTILISER UNIQUEMENT les accessoires préconisés par le constructeur.
12. UTILISER exclusivement avec un chariot, un support, un trépied, une console ou un bâti recommandé par le fabricant ou vendu avec l'appareil. Lorsqu'un chariot est utilisé, faire preuve de prudence pour déplacer l'ensemble chariot/appareil afin d'éviter un renversement pouvant causer des blessures.
13. DÉBRANCHER cet appareil en cas d'orage ou lorsqu'il reste inutilisé pendant une longue durée.
14. CONFIER tout travail de dépannage à un réparateur professionnel compétent. En cas de dommages, il faut faire réparer l'appareil, par exemple si la fiche ou le cordon d'alimentation a été endommagé, si un liquide a été renversé ou si un objet a pénétré à l'intérieur de l'appareil, si l'appareil a été exposé à la pluie ou à l'humidité, s'il ne fonctionne pas normalement ou s'il a subi une chute.



Ce symbole indique d'importantes instructions d'utilisation et d'entretien dans la accompagnant cet appareil.



Ce symbole indique qu'une tension dangereuse présentant un risque d'électrocution est présente dans l'appareil.

AVERTISSEMENT: Pour réduire les risques d'incendie et d'électrocution, ne pas exposer cet appareil à la pluie ni à l'humidité.



AVERTISSEMENT: Les tensions présentes dans cet appareil peuvent être mortelles. Cet appareil ne contient pas de pièces pouvant être remplacées par l'utilisateur. Tout travail de dépannage doit être confié à un réparateur professionnel compétent.

ATTENTION: Les changements ou modifications non expressément approuvés par le fabricant pourraient annuler le droit de l'utilisateur à utiliser cet appareil.

À PROPOS DE VOTRE ACHAT DE PRODUIT KLIPSCH

Merci d'avoir acheté ces enceintes Klipsch. Lorsque vous aurez lu ce manuel et raccordé le système, vous bénéficierez des résultats de plus de 55 ans d'études techniques rigoureuses et d'un programme supérieur de recherche et développement. Comme tous les produits Klipsch, ces enceintes bénéficient de la technologie de haut-parleur à pavillon Klipsch qui a servi de ligne directrice au premier modèle Klipschorn® développé en 1946 et à tous les produits qui ont suivi. Le haut-parleur à pavillon permet aux enceintes d'offrir une réponse dotée de haute sensibilité, de faible distorsion, de réponse en fréquence uniforme et de large dispersion, ce qui se traduit par une supériorité inégalée du « son Klipsch » au niveau de la puissance, des détails et de la dynamique.

Pour que nous puissions mieux vous servir, n'oubliez pas de remplir la fiche de garantie ci-jointe ou de vous inscrire en ligne sur www.klipsch.com.

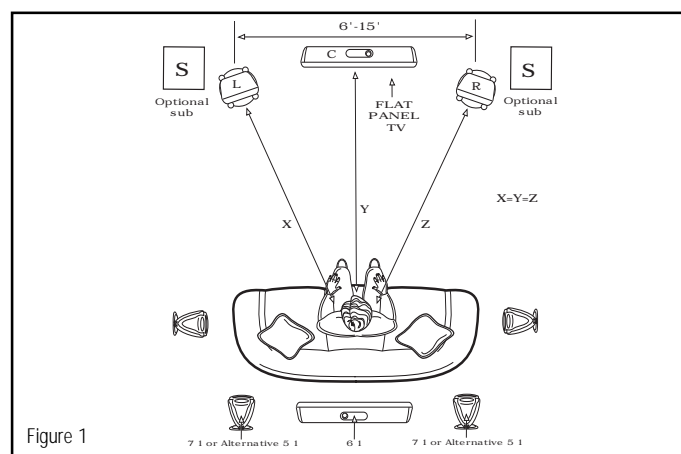
Encore une fois, merci d'avoir choisi Klipsch. Nous espérons que ces enceintes vous permettront d'apprécier pleinement votre musique et vos films pendant de nombreuses années.

GRILLE

L'enceinte peut être utilisée avec ou sans sa grille. La grille est maintenue en place par des aimants ; il suffit de la tirer vers l'avant pour l'enlever et d'aligner ses bords sur ceux de l'enceinte pour la remettre en place.

PLACEMENT

Conçues pour permettre une souplesse maximale, les enceintes Reference RVX offrent de bonnes performances dans de nombreuses et diverses configurations. La figure 1 représente un exemple de configuration pour cinéma maison, avec une enceinte de canal central (RVX-42) sur le téléviseur, une paire d'enceintes avant gauche et droite (RVX-42 ou RVX-54) de part et d'autre de l'écran, une autre paire d'enceintes (RSX-4 ou RSX-5) sur les côtés de la zone d'écoute pour l'effet ambiophonique principal et une troisième paire derrière pour le canal ambiophonique arrière d'un système 7.1 canaux (Dolby Digital EX ou DTS-ES). Des recommandations de placement pour chaque fonction sont indiquées ci-dessous.



Enceinte de canal central : Centrez l'enceinte juste au-dessus ou au-dessous de l'écran vidéo. Le pied intégré permet de placer l'enceinte sur le téléviseur (ou sur une étagère juste au-dessus ou au-dessous de celui-ci) ou bien de la fixer au mur (voir les instructions de fixation murale). L'idéal est que l'avant de l'enceinte soit au même niveau que l'avant de l'écran. Pour plus de détails, consultez la section relative au réglage du pied.

Enceintes avant gauche et droite : Les enceintes avant gauche et droite doivent être à peu près alignées sur l'écran vidéo et à égale distance de celui-ci. La distance par rapport à l'écran n'est pas le point essentiel, mais un plus grand éloignement a tendance à donner plus de profondeur au son. Évitez d'avoir l'une ou l'autre des enceintes à moins de 60 centimètres d'un mur latéral. Si vous installez les enceintes sur des étagères ou dans un meuble, placez-les de manière à ce que leurs faces avant soient alignées sur l'avant du meuble. Dans la mesure du possible, mettez-les à la hauteur d'un auditeur assis.

Enceintes ambiophoniques gauche et droite : Les enceintes RVX ont été conçues pour s'intégrer acoustiquement et esthétiquement à la gamme d'enceintes Reference Satellite de Klipsch. Demandez à un détaillant agréé Klipsch de vous aider à choisir le modèle Reference Satellite adapté à votre situation.

Le meilleur emplacement des enceintes utilisées comme enceintes ambiophoniques se trouve sur ou contre les murs latéraux de l'espace d'écoute, n'importe où entre le niveau de la position d'écoute et environ 20 degrés en arrière. Fixez-les à une hauteur supérieure à celle de l'oreille d'un auditeur assis (1,5 à 2,1 mètres), mais évitez de les placer contre le plafond. Orientez-les soit directement vers le côté opposé de la pièce, soit légèrement vers le mur arrière pour obtenir un son plus diffus, soit vers la position d'écoute pour obtenir un son plus direct. Toutefois, la conception des enceintes Reference Satellite permet une grande souplesse, et de bons résultats peuvent être obtenus avec des configurations nettement différentes de la situation idéale.

REFERENCE SERIES

Enceintes ambiophoniques arrière : Si l'appareil électronique est compatible avec le système ambiophonique Dolby Digital EX, THX Surround EX ou bien DTS-ES 7.1 ou 6.1 canaux, vous pouvez placer une ou deux enceintes derrière la zone d'écoute et les utiliser comme enceintes ambiophoniques arrière. Comme pour les enceintes ambiophoniques gauche et droite, l'emplacement optimal se trouve au-dessus du niveau de l'oreille d'un auditeur assis. Si vous n'utilisez qu'une enceinte ambiophonique arrière, elle doit être centrée derrière la zone d'écoute ; si vous en utilisez deux, elles doivent être relativement proches l'une de l'autre. Avec ce type de système, les enceintes ambiophoniques principales gauche et droite doivent être juste à côté de la zone d'écoute et non en arrière.

RÉGLAGE DU PIED ET FIXATION MURALE

La fixation de l'enceinte RVX-42 sur son pied se fait à l'aide d'un boulon permettant une orientation verticale (configuration à la livraison) pour une utilisation comme enceinte de bibliothèque, ou horizontale pour une utilisation comme enceinte de canal central. Pour régler le pied, retirez l'outil de boulon de pied de l'arrière de l'enceinte, et retirez le boulon du pied. Changez la position du pied en le faisant tourner autour du point de montage central, puis remettez l'outil de boulon de pied dans l'ouverture dans laquelle se trouvait le boulon de pied. (Voir la figure 2.)

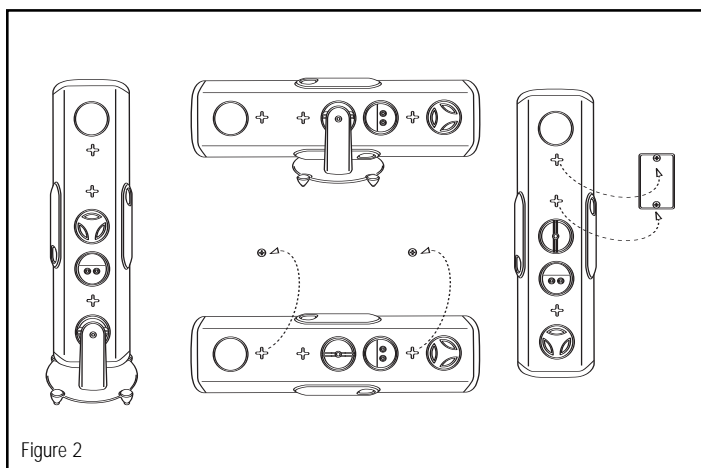


Figure 2

Vous pouvez également utiliser un support mural ou de plafond en option compatible avec les inserts 3/8" - 16 prévus. Demandez à un détaillant agréé Klipsch de vous aider à choisir le modèle adapté à votre situation.

Pour l'installation de l'enceinte RVX-42, suivez les instructions ci-dessous :

1. À l'aide d'un niveau à bulle, placez contre le mur à l'emplacement voulu le gabarit de fixation murale fourni.
2. Marquez les emplacements des vis pour le modèle que vous installez.
3. Insérez des vis à bois n° 8 à tête cylindrique bombée (d'au moins cinq centimètres) dans un poteau mural ou des ancrages de cloison sèche ayant la capacité de charge requise. Laissez dépasser les têtes de vis de la surface du mur d'au moins 6 mm et vissez un peu plus s'il le faut au moment d'accrocher l'enceinte.
4. Fixez à l'arrière de l'enceinte les patins autocollants en caoutchouc fournis.
5. Raccordez les fils de l'enceinte à ses bornes. Voir la section : « Enceintes à amplificateur : respect de la polarité ».
6. Accrochez les encoches en trou de serrure de l'enceinte aux têtes de vis dépassant du mur. Réglez la hauteur des têtes de vis afin d'obtenir un bon ajustement. Ne serrez pas trop.
7. Si vous utilisez un support mural en option compatible avec les inserts 3/8" - 16 prévus, réglez l'orientation de l'enceinte.

RACCORDEMENTS

Remarque : Un bon raccordement des enceintes à l'amplificateur ou au récepteur est essentiel pour l'obtention d'un son de qualité supérieure. Suivez attentivement les instructions ci-dessous. Des raccordements mal réalisés risquent d'entraîner un mauvais fonctionnement de l'amplificateur ou de l'endommager.

Les enceintes de la gamme Reference de Klipsch sont pourvues d'un câblage interne en fils de cuivre de grande pureté et de différents diamètres, soigneusement sélectionnés et bobinés

de façon à assurer une transmission optimale des signaux de différentes fréquences. Vous tirerez le maximum de vos enceintes en les reliant à l'amplificateur ou au récepteur à l'aide de fils de qualité identique, en vente chez les détaillants. Nous recommandons d'utiliser des fils de cuivre multibrin d'au moins 0,78 mm² de section (calibre 18). Utilisez une plus grande section de fil pour les plus grandes distances afin de réduire la puissance perdue à cause de la résistance du fil.

TOUT D'ABORD: TYPES DE CONNECTEURS

Fil nu — Séparez les deux conducteurs sur environ 25 mm, puis dénudez leurs extrémités sur environ 6 mm. (Une pince à dénuder simplifie cette opération, mais vous pouvez aussi entailler le pourtour de l'isolant jusqu'au fil à l'aide d'un canif ordinaire.) Torsadez en serrant bien les brins de chaque conducteur. Desserrez les écrous d'une paire de bornes de raccordement de façon à faire apparaître les trous traversants, puis insérez dans ces trous les extrémités dénudées des fils. Vissez chaque écrou sur le fil en serrant à la main. Vérifiez à chaque extrémité du raccordement qu'aucun brin de fil ne met en contact les deux bornes entre elles ni ne touche un brin de l'autre conducteur, afin d'éviter un mauvais fonctionnement ou un endommagement de l'amplificateur.

Broches — Beaucoup de câbles d'enceintes préfabriqués sont pourvus de terminaisons à broches métalliques. Desserrez les écrous d'une paire de bornes de raccordement de façon à faire apparaître les trous traversants, puis insérez les broches dans ces trous. Vissez chaque écrou sur la broche en serrant à la main. Ne serrez pas excessivement. Vérifiez à chaque extrémité du raccordement qu'il n'y a aucun contact métallique entre les deux broches, entre les deux bornes ou entre une broche et une borne, afin d'éviter un mauvais fonctionnement ou un endommagement de l'amplificateur.

Cosses à fourche — Certains câbles d'enceintes sont pourvus de connecteurs en U appelés cosses à fourche. Desserrez les écrous d'une paire de bornes de raccordement et placez chaque cosse à fourche à cheval sur la borne.

Vissez chaque écrou sur la cosse en serrant à la main et inspectez les cosses pour vous assurer qu'elles sont bien en place. Vérifiez à chaque extrémité du raccordement qu'il n'y a aucun contact métallique entre les deux cosses, entre les deux bornes ou entre une cosse et une borne, afin d'éviter un mauvais fonctionnement ou un endommagement de l'amplificateur.

IL EXISTE D'AUTRES TYPES DE CONNECTEURS SPÉCIAUX PERMETTANT DE FACILITER LE RACCORDEMENT DES ENCEINTES. ADRESSEZ-VOUS À UN REVENDEUR AGRÉÉ KLIPSCH POUR OBTENIR DES SUGGESTIONS ET DE PLUS AMPLES DÉTAILS.

ENCEINTES À AMPLIFICATEUR : RESPECT DE LA POLARITÉ

Le respect de la polarité ou phase est primordial pour le raccordement des enceintes. En effet, si le raccordement est déphasé, les graves et la localisation acoustique sont dégradés.

La façon la plus simple d'assurer le raccordement en phase des enceintes est de toujours relier les bornes de sortie positive et négative de l'amplificateur ou du récepteur aux bornes d'entrée correspondantes des enceintes : borne positive (« + », rouge) à la borne positive et borne négative (« - », noire) à la borne négative. (Voir la figure 3.)

La plupart des câbles préfabriqués possèdent des connecteurs de couleur facilitant le raccordement adéquat des entrées et des sorties. Si ce n'est pas le cas des vôtres ou si vous fabriquez vous-même vos câbles à partir de fil à deux conducteurs, recherchez sur ceux-ci des repères d'identification.

Ils sont, en général, constitués de caractères imprimés, d'une bande ou d'une ligne en relief le long de l'un des conducteurs.

RÉGLAGES DE GESTION DES GRAVES ET RÉGLAGE DU CAISSON DE GRAVES

Les processeurs, amplificateurs et récepteurs ambiophoniques numériques utilisent ce que l'on appelle la gestion des graves : il s'agit de faire en sorte que les basses fréquences des différents canaux soient envoyées aux enceintes pouvant les reproduire en évitant les petites enceintes qui ne le peuvent pas. Avec les enceintes Reference Satellite, il faut un caisson de graves (ou de grandes enceintes avant gauche et droite) pour la reproduction des extrêmes graves. Dans le récepteur ou le processeur, sous le menu de configuration des enceintes, réglez tous les canaux reliés à des enceintes Reference Satellite sur « Small ».

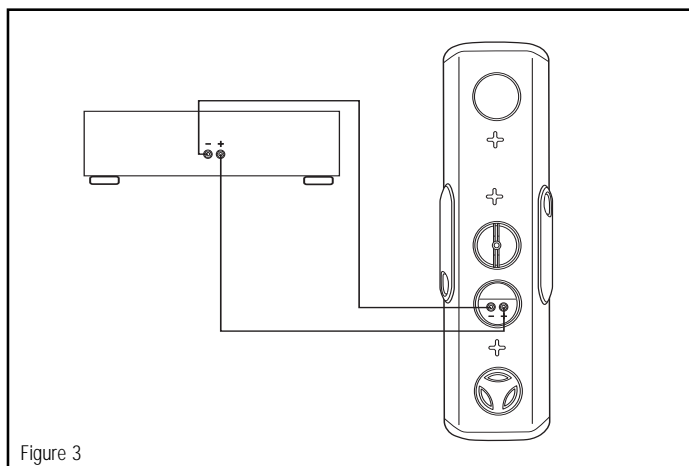


Figure 3

Si vous utilisez de grandes enceintes avant pour la reproduction des graves, réglez les canaux qui les alimentent sur « Large ». Si vous utilisez un caisson de graves, réglez le paramètre Subwoofer sur « On » ou « Yes ».

Dans la plupart des circuits de gestion des graves, la fréquence de coupure, de 80 Hz ou 100 Hz, est bien adaptée à la limite inférieure des satellites Reference. Il est conseillé de commencer par 90 Hz ou 100 Hz si votre système le permet. Si le caisson de graves n'est pas raccordé à une sortie dédiée de caisson de graves, commencez par régler son filtre passif interne à environ 90 Hz ou 100 Hz.

ENTRETIEN ET NETTOYAGE

Le nettoyage de vos enceintes ne demande qu'un épuisage de temps en temps. N'utilisez jamais de produits de nettoyage abrasifs ou à base de solvant ni de détergents puissants. Vous pouvez nettoyer les grilles à l'aide d'une brosse d'aspirateur.

GARANTIE (ÉTATS-UNIS ET CANADA SEULEMENT)

La garantie ci-dessous est valable exclusivement pour les articles vendus aux consommateurs aux États-Unis et au Canada.

KLIPSCH AUDIO TECHNOLOGIES (KLIPSCH dans ce qui suit) garantit cet article contre tout défaut de fabrication ou de matériau (sous réserve des conditions énoncées ci-dessous) pour une période de cinq (5) ans à compter de la date d'achat. Pendant cette période de garantie, KLIPSCH réparera ou remplacera, à sa discrétion, l'article ou la pièce défectueuse

(à l'exception des amplificateurs et autres appareils électroniques). Pour les articles comportant des amplificateurs ou d'autres composants électroniques, la période de garantie de ces composants est de deux (2) ans à compter de la date d'achat.

Pour tout service entrant dans le cadre de la garantie, veuillez prendre contact avec le concessionnaire agr KLIPSCH auprès duquel l'article a été acheté. Si le concessionnaire ne dispose pas des moyens d'effectuer la réparation de l'article KLIPSCH, celui-ci peut être renvoyé à KLIPSCH en port payé pour réparation. Veuillez appeler KLIPSCH au 1-800-KLIPSCH pour recevoir des instructions à ce propos. L'article devra être expédié dans son emballage d'origine ou dans un emballage offrant le même niveau de protection.

Toute demande de réparation ou de remplacement dans le cadre de la garantie doit être accompagnée d'une preuve d'achat datée (facture ou ticket de caisse) attestant que la période de garantie n'a pas expiré.

Cette garantie est annulée si (a) le numéro de série apposé à l'usine est modifié ou retiré de l'article ou (b) l'article n'a pas été acheté auprès d'un concessionnaire agr KLIPSCH. Il est possible d'appeler le 1-800-KLIPSCH pour vérifier que le numéro de série n'a pas été modifié ou que le vendeur est bien un concessionnaire agr KLIPSCH.

Cette garantie ne couvre pas les dommages superficiels ou résultant d'une mauvaise utilisation, d'un mauvais traitement, d'une utilisation commerciale ou d'une modification de cet article ou de toute pièce de celui-ci, ou encore d'une négligence, d'une catastrophe naturelle ou d'un accident. Cette garantie ne couvre pas les dommages résultant d'un emploi, d'une installation ou d'un entretien inadéquats, ou d'une tentative de réparation par toute personne non autorisée par KLIPSCH à effectuer des réparations dans le cadre de la garantie. Toute réparation non autorisée annule cette garantie. Cette garantie ne couvre pas les articles vendus EN L TAT ou SANS GARANTIE .

LES RÉPARATIONS OU REMPLACEMENTS OFFERTS DANS LE CADRE DE CETTE GARANTIE CONSTITUENT LE SEUL RECOURS DE L'ACHETEUR. KLIPSCH DÉCLINE TOUTE RESPONSABILITÉ EN CAS DE DOMMAGES INDIRECTS OU ACCESSOIRES POUR MANQUEMENT À TOUTE GARANTIE EXPRESSE OU IMPLICITE DE CE PRODUIT. SAUF DISPOSITIONS CONTRAIRES PRÉVUES PAR LA LOI, CETTE GARANTIE EXCLUE ET REMPLACE TOUTE AUTRE GARANTIE EXPRESSE OU IMPLICITE, Y COMPRIS, MAIS DE FAÇON NON LIMITATIVE, LES GARANTIES DE QUALITÉ MARCHANDE ET D'ADAPTATION À UN USAGE PARTICULIER.

Certaines collectivités territoriales n'autorisant pas l'exclusion ou la limitation des dommages indirects ou accessoires ou des garanties implicites, il est possible que les limitations ou exclusions ci-dessus ne s'appliquent pas à votre cas. Cette garantie vous donne des droits particuliers. Vous bénéficiez peut-être d'autres droits selon votre lieu de résidence.

GARANTIE À L'EXTÉRIEUR DES ÉTATS-UNIS ET DU CANADA

Si ce produit est vendu à l'extérieur des États-Unis et du Canada, la garantie doit être conforme aux lois en vigueur et n'engage que la responsabilité du distributeur qui a fourni ce produit. Pour obtenir un service en garantie, contactez le détaillant chez qui vous avez acheté ce produit ou le distributeur qui l'a fourni.

REFERENCE SERIES

WICHTIGER SICHERHEITSHINWEIS

1. LESEN Sie diese Anweisungen durch.
2. BEHALTEN Sie diese Anweisungen.
3. BEACHTEN Sie alle Warnhinweise.
4. FOLGEN Sie allen Anweisungen.
5. Verwenden Sie diese Geräte NICHT in der Nähe von Wasser.
6. Reinigen Sie sie NUR mit einem trockenen Tuch.
7. Blockieren Sie KEINE Lüftungsöffnungen. Installieren Sie die Geräte entsprechend den Herstelleranweisungen.
8. Installieren Sie sie nicht in der Nähe von Wärmequellen wie Heizkörpern, Warmlufteintrittsöffnungen, Öfen oder anderen wärmeerzeugenden Geräten (einschließlich Verstärkern).
9. Sie dürfen die Sicherheitsfunktion polarisierter oder geerdeter Stecker NICHT außer Kraft setzen. Ein polarisierter Stecker hat zwei Stifte, wobei einer dicker ist als der andere. Ein geerdeter Stecker hat zwei Stifte und einen dritten Erdungsstift. Der dickere Stift oder der dritte Stift dienen zu Ihrer Sicherheit. Wenn der mitgelieferte Stecker nicht in Ihre Steckdose passt, sollten Sie die veraltete Steckdose durch einen Elektriker ersetzen lassen.
10. VERMEIDEN Sie, dass das Netzkabel belastet oder geknickt wird, vor allem bei Steckern, Zusatzsteckdosen und beim Ausgang aus dem Gerät
11. Verwenden Sie AUSSCHLIESSLICH vom Hersteller empfohlene Zusatzgeräte/Zubehör.
12. Verwenden Sie beim Transport ausschließlich Wagen, Ständer, Stative, Halterungen oder Tische, die vom Hersteller empfohlen oder mit dem Gerät verkauft wurden. Bei Verwendung eines Wagens sollten Sie vorsichtig sein, damit Wagen und Gerät nicht umkippen und Verletzungen verursachen.
13. Trennen Sie dieses Gerät bei Gewitter vom Netz, oder wenn es längere Zeit nicht benutzt wird.
14. Lassen Sie alle Wartungen bzw. Reparaturen von geschulten Kundendiensttechnikern durchführen. Eine Wartung bzw. Reparatur ist nötig, wenn das Gerät auf irgendeine Weise beschädigt wurde, z.B. durch Schäden am Netzkabel oder -stecker, durch Verschütten von Flüssigkeiten, durch das Hineinfallen von Gegenständen, durch Regen oder Feuchtigkeit, wenn es nicht richtig funktioniert oder wenn es fallen gelassen wurde.



Dieses Symbol weist darauf hin, dass die dieser Einheit beiliegenden Anleitungen wichtige Betriebs- und Wartungsanweisungen enthalten.



Dieses Symbol weist auf die Gefahr eines Stromschlags aufgrund von gefährlichen Spannungen in dieser Einheit hin.

WARNUNG: Um die Gefahr eines Feuers oder Stromschlags zu verringern, ist dieses Gerät vor Regen oder Feuchtigkeit zu schützen.



WARNUNG: In diesem Gerät gibt es lebensgefährliche Stromspannung. Das Gerät enthält keine durch den Benutzer zu wartenden Teile, Lassen Sie alle Wartungen bzw. Reparaturen von geschulten Kundendiensttechnikern durchführen.

WARNUNG: Änderungen oder Modifikationen, die nicht ausdrücklich vom Hersteller genehmigt sind, könnten des Recht des Benutzers zum Betrieb des Geräts ungültig werden lassen.

ÜBER IHR KLIPSCH-PRODUKT

Vielen Dank, dass Sie Klipsch-Lautsprecher gekauft haben. Nach der Lektüre dieses Handbuchs und dem Anschluss Ihres Systems werden Sie das Ergebnis von über 55 Jahren herausragender Technologie und führender Forschungs- und Entwicklungsarbeit hören können. Wie alle Produkte von Klipsch verfügen auch Ihre Lautsprecher über die Klipsch Horn-Load-Technologie – das Grund-Design für das erste, 1946 entwickelte Klipschorn® und für jedes darauf folgende Produkt. Horn-Loading ermöglicht es Ihrem Lautsprecher, hohe Empfindlichkeit, niedrige Verzerrung, einen ebenen Frequenzgang und ein breites Abstrahlverhalten zu bieten, was zu unvergleichlicher Leistung, Klangtreue und Dynamik führt, eben den Merkmalen des „Klipsch-Sound“.

Füllen Sie bitte die beiliegende Garantiekarte aus, oder registrieren Sie sich online bei www.klipsch.com, so dass wir Ihnen besser helfen können. Nochmals vielen Dank, dass Sie Klipsch gewählt haben. Wir hoffen, dass Ihre Lautsprecher viele Jahre lang Ihre Musik und Ihre Filme zum Leben erwecken werden.

LAUTSPRECHERGRILL

Der Lautsprecher kann mit oder ohne Lautsprechergrill benutzt werden. Der Lautsprechergrill wird magnetisch befestigt. Sie können ihn einfach entfernen, indem Sie ihn abziehen, und ihn wieder anbringen, indem Sie dessen Kanten am Lautsprechergehäuse ausrichten.

PLATZIERUNG

Ihre Reference RVX-Lautsprecher sind auf maximale Flexibilität hin konzipiert und bieten in einer Vielzahl von Konfigurationen ausgezeichnete Leistungen. Abbildung 1 zeigt die Aufstellung für ein typisches Heimkino-System, mit einem Center-Lautsprecher (RVX-42) oben auf dem Fernseher, linken und rechten vorderen Lautsprechern (entweder RVX-42 oder RVX-54) an den Seiten des Bildschirms, zwei weiteren Lautsprechern (RSX-4 oder RSX-5) als Haupt-Surround-Quellen an den Seiten des Hörbereichs und einem dritten Paar hinten für den hinteren Surround-Kanal in einem 7.1-Kanalsystem (Dolby Digital EX oder DTS-ES). Untenstehend sehen Sie die empfohlene Platzierung für jede Funktion.

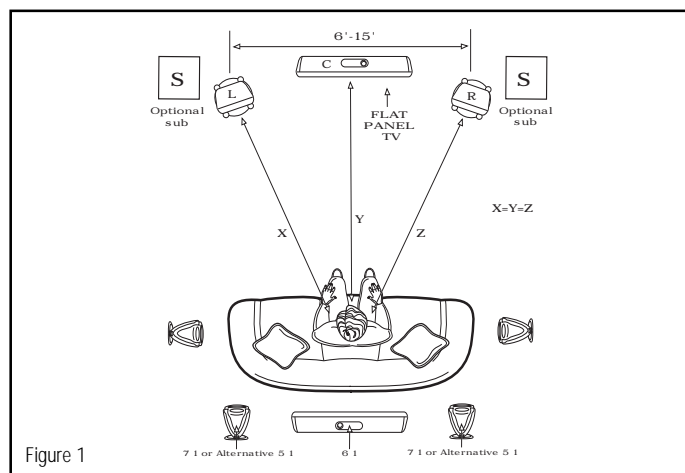


Figure 1

Center-Lautsprecher: Platzieren Sie den Lautsprecher mittig direkt über oder unter Ihrem Fernsehbildschirm. Der integrierte Ständer ermöglicht es, den Lautsprecher entweder oben auf dem Fernseher (oder auf einem Regal direkt darüber bzw. darunter) aufzustellen oder ihn an der Wand zu montieren (siehe Wandmontageanleitung). Am besten sollte die Schallwand des Lautsprechers mit der Vorderkante des Bildschirms bündig sein. Weitere Details finden Sie im Abschnitt „Anpassung“.

Vordere linke und rechte Lautsprecher: Am besten sollten sich der vordere linke und rechte Lautsprecher ungefähr auf einer Linie mit dem Bildschirm befinden und gleich weit von ihm entfernt sein.

Die Entfernung vom Bildschirm ist weniger wichtig, aber eine weite Trennung erzeugt meist mehr Raumklang. Die Lautsprecher sollten mindestens 60 cm von einer Seitenwand entfernt sein, und wenn sie auf Regalen oder in einer Schrankwand aufgestellt sind, sind sie so zu platzieren, dass ihre Vorderseite mit der Vorderseite der Schrankwand wenigstens bündig ist. Platzieren Sie sie, falls möglich, auf Ohrhöhe einer sitzenden Person.

Linke und rechte Surround-Lautsprecher: Ihre RVX-Lautsprecher passen akustisch und im Design zu der Klipsch Reference-Serie von Satellitenlautsprechern. Ihr autorisierter Klipsch-Fachhändler kann Sie bei der Auswahl des passenden Reference-Satellite-Modells beraten.

Die beste Position für Lautsprecher, die als Surround-Lautsprecher verwendet werden, ist an oder nahe der Wand an den Seiten des Hörbereichs, von einem Punkt direkt neben der Hörposition bis zu etwa 20 Grad dahinter. Montieren Sie sie über der Ohrhöhe einer sitzenden Person (1,5 bis 2,2 m hoch), aber platzieren Sie sie nicht an der Decke.

Richten Sie sie direkt in den Raum oder etwas gegen die hintere Wand aus, um einen mehr verteilten Klang zu erreichen, oder direkt in Richtung auf die Hörposition, was einen mehr direkten Klang erzielt.

Das Design der Reference-Satellite-Modelle ermöglicht allerdings große Flexibilität, und selbst mit nicht gerade idealen Konfigurationen können gute Ergebnisse erzielt werden.

Hintere Surround-Lautsprecher: Wenn Ihre Elektronik Dolby Digital EX, THX Surround EX oder DTS-FS 7.1 bzw. 6.1-Kanal-Sound unterstützt, können Sie ein oder zwei Lautsprecher hinter

dem Sitzbereich als hintere Surround-Lautsprecher einsetzen. Wie bei den rechten und linken Surround-Lautsprechern befindet sich die optimale Position oberhalb der Ohrhöhe einer sitzenden Person. Wenn Sie nur einen hinteren Surround-Lautsprecher verwenden, sollte er hinter dem Hörbereich zentriert sein. Wenn Sie zwei verwenden, sollten diese ziemlich nahe voneinander aufgestellt sein. Bei dieser Art von System sollten sich die normalen linken und rechten Surround-Lautsprecher neben dem Sitzbereich befinden, und nicht dahinter.

ANPASSUNG DES STÄNDERS UND WANDMONTAGE

Die RVX-42 werden mit einer Schraube an ihren Ständern befestigt und können sowohl wie ausgeliefert vertikal (für den Regaleinsatz) oder horizontal (meist als Center-Lautsprecher) ausgerichtet werden. Um den Sockel einzustellen, entfernen Sie das Ständerschrauben-Werkzeug von der Rückseite der Einheit und nehmen die Schraube aus dem Ständer. Verschieben Sie den Ständer in der Mittel-Montagehalterung und stecken Sie dann das Ständerschrauben-Werkzeug in die Öffnung, in der sich vorher die Ständerschraube befand. (Siehe Abbildung 2.)

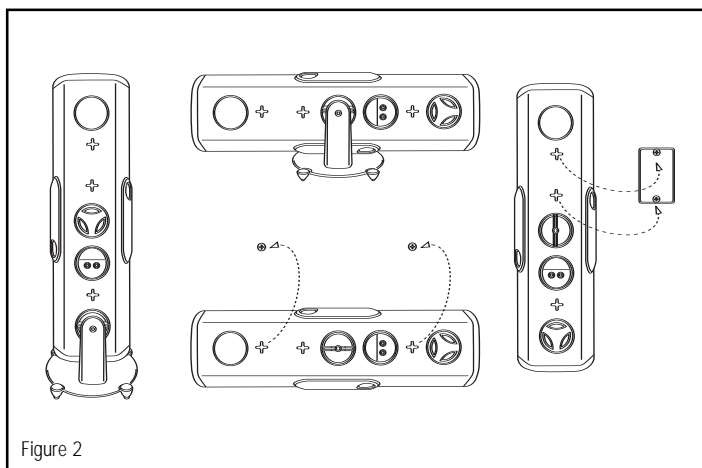


Figure 2

Sie können auch eine optionale Wand- oder Deckenbefestigung verwenden, die zu den mitgelieferten 3/8"-16-Einschüben passt. Ihr autorisierter Klipsch-Fachhändler kann Sie bei der Auswahl des passenden Modells beraten.

Folgen Sie zur Installation des RVX-42 untenstehenden Anweisungen:

1. Suchen Sie die mitgelieferte Wandmontage-Schablone mit Libelle und halten Sie diese an der gewünschten Stelle gegen die Wand.
2. Markieren Sie die Schraubenpositionen für das zu installierende Modell.
3. Schrauben Sie zwei Nr. 8 Flachkopf-Holzschrauben (mindestens 5 cm) in ein Ständerprofil, oder verwenden Sie einen Dübel mit entsprechender Tragfähigkeit. Lassen Sie die Schraubenköpfe etwa 6 mm aus der Wand herausstehen und passen Sie sie ggf. beim Aufhängen der Lautsprecher an.
4. Bringen Sie die mitgelieferten selbstklebenden Gummifüßchen an der Rückseite des Lautsprechers an.
5. Schließen Sie das Lautsprecherkabel an den Anschluss terminals des Lautsprechers an. Siehe „Lautsprecher zu Verstärker: Direkte Verbindung“.
6. Schieben Sie die Befestigungslöcher des Lautsprechers über die aus der Wand hervorstehenden Schraubenköpfe. Stellen Sie die Höhe der Schraubenköpfe ein, damit sie genau passen. Ziehen Sie sie nicht zu fest an.
7. Stellen Sie den Lautsprecherwinkel richtig ein, wenn Sie eine optionale Wandbefestigung verwenden, die zu den mitgelieferten 3/8"-16-Einschüben passt.

ANSCHLÜSSE

Hinweis: Der korrekte Anschluss Ihrer Lautsprecher an den Verstärker oder Receiver ist entscheidend für eine gute Tonqualität. Folgen Sie bitte sorgfältig diesen Anweisungen. Schlechte Anschlüsse können zu Fehlfunktionen oder Beschädigungen des Verstärkers führen.

Lautsprecher der Klipsch Reference-Serie verwenden mehrere Drähte aus hochreinem Kupfer, die sorgfältig ausgewählt und verflochten wurden, um eine optimale Signalübertragung über den gesamten Frequenzbereich hinweg zu gewährleisten. Sie können die beste Leistung aus Ihren

Lautsprechern herausholen, wenn Sie sie mit einem ähnlich guten, durch Ihren Fachhändler erhältlichen Kabel mit dem Verstärker oder Receiver verbinden. Wir empfehlen die Verwendung von geflochtenen Kupferkabeln, mit 18 Gauge oder schwerer (niedrigerem Gauge-Wert). Verwenden Sie ein Kabel mit schwererem Draht (niedrigerem Gauge-Wert) für längere Entfernungen, um den durch den Kabelwiderstand erzeugten Verlust der Verstärkerleistung zu reduzieren.

ERSTER SCHRITT: ANSCHLUSSARTEN

Blanker Draht - Ziehen Sie die zwei Adern auf einer Länge von etwa 2,5 cm auseinander und entfernen Sie am Ende jeweils ca. 7 mm der Isolierung. (Das geht mit einer Absolierzange einfacher, aber Sie können auch ein normales Taschenmesser verwenden, um die Isolierung vom Draht abzuschneiden.) Drehen Sie die Drahtfasern jeder Ader fest zusammen. Lösen Sie die Muttern an einem Paar Anschluss terminals, bis die Löcher in den Metallstiften frei sind, und stecken Sie dann den blanken Draht in die Löcher. Drehen Sie die Muttern fingerfest auf den Draht hinunter. Stellen Sie sicher, dass keine Kupferfasern von einem Terminal zum anderen oder zu einer Faser der anderen Ader verlaufen. Wenn diese Vorsichtsmaßnahme an einem der Anschlüssen missachtet wird, kann es zu Fehlfunktionen oder Beschädigungen des Verstärkers kommen.

Stifte - Viele im Handel erhältliche Lautsprecherkabel haben am Ende Metallstifte. Lösen Sie die Muttern an einem Paar Anschluss terminals, bis die Löcher in den Metallstiften frei sind, und stecken Sie dann die Stifte in die Löcher. Drehen Sie die Muttern fingerfest auf die Stifte hinunter, aber drehen Sie sie nicht zu fest an. Stellen Sie sicher, dass kein Metallkontakt zwischen den beiden Stiften oder Anschluss terminals besteht. Wenn diese Vorsichtsmaßnahme an einem der Anschlüsse missachtet wird, kann es zu Fehlfunktionen oder Beschädigungen des Verstärkers kommen.

Gabelschuhe - Manche Lautsprecherkabel haben am Ende U-förmige Anschlüsse, die als Gabelschuhe bezeichnet werden. Lösen Sie die Muttern an einem Paar Anschluss terminals und schieben Sie die Gabelschuhe um die Metallstifte herum. Drehen Sie die Muttern fingerfest auf die Gabelschuhe hinunter und prüfen Sie, ob diese richtig festgeschraubt sind. Stellen Sie sicher, dass kein Metallkontakt zwischen den beiden Gabelschuhen oder Anschluss terminals besteht.

Wenn diese Vorsichtsmaßnahme an einem der Anschlüsse missachtet wird, kann es zu Fehlfunktionen oder Beschädigungen des Verstärkers kommen.

ES GIBT ANDERE ARTEN SPEZIELLER VERBINDUNGEN, DIE DAS ANSCHLIESSEN IHRER LAUTSPRECHER ERLEICHTERN. SETZEN SIE SICH BITTE MIT IHREM KLIPSCH-FACHHÄNDLER IN VERBINDUNG, DER IHNEN RATSCHLÄGE UND WEITERE INFORMATIONEN GEBEN KANN.

LAUTSPRECHER ZU VERSTÄRKER: DIREKTE VERBINDUNG

Einer der wichtigsten Faktoren beim Anschluss Ihrer Lautsprecher ist die richtige Polung. Wenn der Lautsprecheranschluss falsch gepolt ist, wirken der Bass und das räumliche Klangbild schwächer.

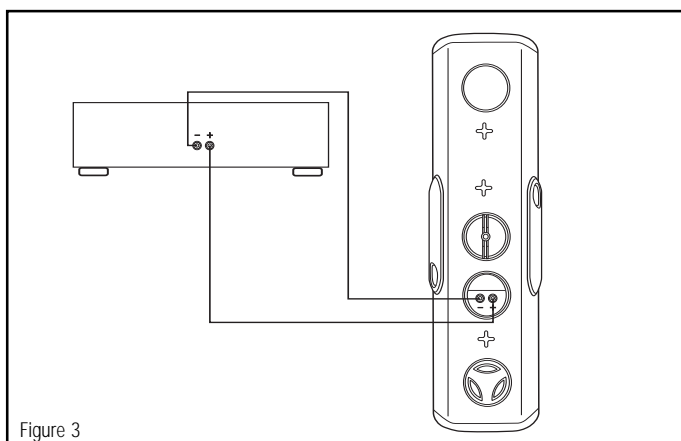


Figure 3

REFERENCE SERIES

Die einfachste Methode, um einen richtig gepolten Lautsprecheranschluss sicherzustellen, besteht darin, die positiven und negativen Ausgangsterminals an Ihrem Verstärker oder Receiver immer mit den entsprechenden Eingangsterminals an Ihren Lautsprechern zu verbinden. positiv („+“ Farbmarkierung rot) zu positiv, und negativ („-“ Farbmarkierung schwarz) zu negativ. (Siehe Abbildung 3.)

Die meisten mit Anschlüssen versehenen Lautsprecherkabel haben farblich markierte Adern, die es einfach machen, die Ausgänge und Eingänge korrekt zu verbinden. Wenn das bei Ihren Kabeln nicht der Fall ist oder wenn Sie ihre eigenen Kabel aus zweiadrigen Draht herstellen, sollten Sie auf der Isolierung der beiden Adern nach Merkmalen suchen.

Normalerweise befindet sich aufgedruckter Text, ein Streifen oder ein erhöhter Kamm entlang einer Ader.

BASS-MANAGEMENT-EINSTELLUNG UND JUSTIERUNG DES SUBWOOFERS

Digitale Surround-Sound-Receiver, Verstärker und Prozessoren verwenden das so genannte Bass-Management-Verfahren, das sicherstellt, dass die niedrigen Frequenzen in den verschiedenen Kanälen an Lautsprecher übertragen werden, die diese wiedergeben können, und das sie bei kleinen Lautsprechern, die dazu nicht in der Lage sind, wegfiltert. Um niedrige Bassfrequenzen wiederzugeben, benötigen die Reference-Satellitenlautsprecher einen Subwoofer (oder große vordere linke und rechte Lautsprecher). Stellen Sie im Lautsprecher-Setup-Menü Ihres Receivers oder Prozessors alle mit den Reference-Satellitenlautsprechern verbundenen Kanäle auf „Small“ (klein).

Wenn Sie für den Bass große vordere Lautsprecher verwenden, stellen Sie alle zu diesen führenden Kanäle auf „Large“ (groß). Und wenn Sie einen Subwoofer verwenden, stellen Sie diesen auf „On“ (ein) oder „Yes“ (ja).

Die meisten Bass-Management-Schaltungen verwenden eine Crossover-Frequenz von 80 Hz oder 100 Hz, was etwa der unteren Frequenzgrenze der Reference-Satellitenlautsprecher entspricht. Wenn Ihr System Ihnen eine Wahlmöglichkeit bietet, empfehlen wir, zunächst 90 Hz oder 100 Hz einzustellen. Und wenn Ihr Subwoofer nicht an einen speziellen Subwoofer-Ausgang angeschlossen ist, sollten Sie seine interne Crossover-Frequenz zunächst auf 90 Hz oder 100 Hz einstellen.

PFLEGE UND REINIGUNG

Die einzig nötige Pflege Ihrer Lautsprecher besteht darin, sie gelegentlich abzustauben. Verwenden Sie nie Scheuermittel, Lösungsmittel enthaltende oder aggressive Reinigungsmittel. Sie können die Lautsprechergrills mit dem Bürstenaufsatz eines Staubsaugers reinigen.

AUSSERHALB DER USA UND KANADA

Falls dieses Produkt an Kunden außerhalb der USA oder Kanada verkauft wurde, entspricht die Garantie für dieses Produkt dem jeweils geltenden Recht und liegt ausschließlich in der Verantwortung des Distributors, der dieses Produkt geliefert hat. Zur Inanspruchnahme von Garantieleistungen den Händler, der dieses Produkt verkauft hat, oder den Distributor, der dieses Produkt geliefert hat, kontaktieren.

LEGGERE QUESTE ISTRUZIONI

1. CONSERVARLE.
2. RISPETTARE tutte le avvertenze.
3. SEGUIRE tutte le istruzioni.
4. NON usare questo apparecchio vicino all'acqua.
5. PULIRE SOLO con un panno asciutto.
6. NON ostruire nessuna apertura per l'aria. Installare seguendo le istruzioni del produttore.
7. Non installare presso fonti di calore come ad esempio radiatori, bocchette di uscita dell'aria di riscaldamento, forni o altri apparecchi (compresi amplificatori) che generano calore.
8. NON annullare la funzione di sicurezza offerta da una spina polarizzata o con presa di terra. Le spine polarizzate hanno due spinotti lamellari, uno più largo dell'altro, mentre le spine con presa di terra hanno due spinotti cilindrici e un terzo, anch'esso cilindrico, per il collegamento all'impianto di messa a terra. Lo spinotto più largo e il terzo spinotto proteggono l'incolumità personale. Se la spina in dotazione non si adatta alla presa di corrente, rivolgersi a un elettricista.
9. PROTEGGERE il cordone di alimentazione in modo che non possa essere pestato o schiacciato, particolarmente in corrispondenza della spina, della presa di corrente e del punto di uscita dall'apparecchio.
10. USARE SOLO gli accessori specificati dal produttore.
11. USARE solo con i supporti (carrello, sostegno, treppiede, staffa o tavolo) specificati dal produttore o venduti con l'apparecchio. Se si usa un carrello, fare attenzione quando lo si sposta assieme all'apparecchio, per prevenire infortuni causati da un ribaltamento.
12. SCOLLEGARE dalla presa di corrente questo apparecchio durante i temporali o se non verrà usato per lunghi periodi.
13. RIVOLGERSI a personale qualificato per qualsiasi intervento. Occorre intervenire sull'apparecchio ogni volta che viene danneggiato in modo qualsiasi, per esempio se la spina o il cordone di alimentazione si danneggiano, se si versa un liquido o cadono oggetti sull'apparecchio, se l'apparecchio è rimasto esposto alla pioggia o all'umidità, non funziona normalmente o è caduto.



Questo simbolo indica che la documentazione allegata a questo apparecchio contiene istruzioni importanti per l'uso e la manutenzione.



Questo simbolo indica che all'interno di questo apparecchio è presente una tensione pericolosa, che comporta il rischio di scosse elettriche.

ATTENZIONE: per ridurre il rischio di scosse elettriche, non esporre questo apparecchio né alla pioggia né all'umidità.



ATTENZIONE: le tensioni all'interno di questo apparecchio sono mortali. All'interno non vi sono parti riparabili dall'utente. Per qualsiasi intervento rivolgersi a personale qualificato.

ATTENZIONE: eventuali modifiche non approvate espressamente dal produttore potrebbero annullare l'autorizzazione concessa all'utente per l'uso di questo apparecchio.

IL VOSTRO NUOVO PRODOTTO KLIPSCH

Grazie per l'acquisto di questi altoparlanti Klipsch. Una volta letto questo manuale e collegato l'impianto, potrete provare i risultati di oltre 55 anni di tecniche avanzate e di ricerche e sviluppi di classe mondiale. Come tutti i prodotti Klipsch, questi altoparlanti sono basati sulla tecnologia "con caricamento a tromba" sviluppata da Klipsch con il primo Klipschorn®, nel 1946, e perfezionata in tutti i prodotti successivi. Grazie al sistema a tromba gli altoparlanti garantiscono alta sensibilità, bassa distorsione, risposta piatta in frequenza e ampia dispersione. Queste caratteristiche si traducono nelle qualità distintive del suono Klipsch: potenza, dettagli e dinamiche ineguagliati.

Vi preghiamo di compilare il modulo della garanzia allegato oppure on line sul sito www.klipsch.com.

Grazie ancora per la preferenza accordataci: gli altoparlanti Klipsch daranno vita ai vostri dischi e film per anni e anni.

GRIGLIA

L'altoparlante può essere utilizzato con o senza griglia. Questa aderisce magneticamente; si può rimuoverla facilmente tirandola in avanti, mentre per riposizionarla basta allinearne i bordi a quelli della cassa dell'altoparlante.

COLLOCAZIONE

Gli altoparlanti Reference RVX sono stati progettati in modo da offrire la massima flessibilità e funzionano bene in svariate configurazioni. La figura 1 illustra una configurazione tipica di un sistema home theater, nella quale l'altoparlante del canale centrale (RVX-42) è collocato sopra il televisore, gli altoparlanti anteriori sinistro e destro (RVX-42 o RVX-54) sono disposti a fianco dello schermo, altri due altoparlanti (RSX-4 o RSX-5) sono situati ai lati dell'area di ascolto come surround principali e una terza coppia è disposta dietro, per il canale posteriore surround in un sistema a 7.1 canali (Dolby Digital EX o DTS-ES). Seguono dei suggerimenti specifici per la collocazione relativa a ciascuna funzione.

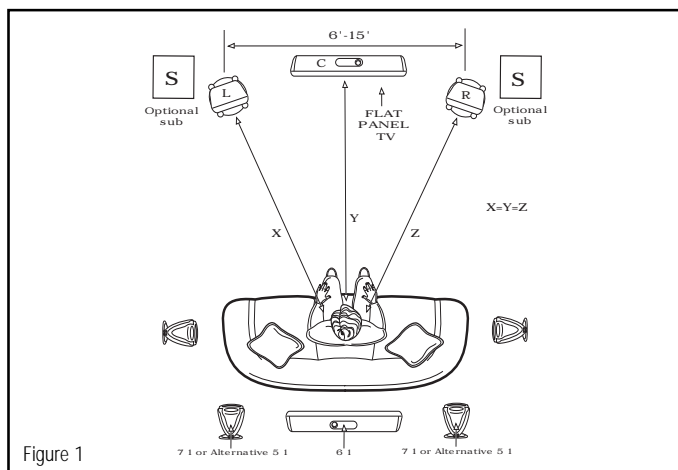


Figure 1

Altoparlante del canale centrale: centratelo direttamente sopra o sotto lo schermo. La base integrale consente di collocare l'altoparlante sopra il televisore (o su uno scaffale direttamente sopra o sotto di esso) o fissato alla parete (vedere le istruzioni per il montaggio a parete). Idealmente, il diaframma frontale dell'altoparlante deve essere a filo con la parte frontale dello schermo. Per ulteriori informazioni vedere la sezione sulla regolazione della base.

Altoparlanti anteriori sinistro e destro: devono essere approssimativamente allineati allo schermo ed equidistanti da esso.

La distanza dallo schermo non è essenziale, anche se una separazione notevole tende ad aumentare la spaziosità del suono. Evitate che l'uno o l'altro altoparlante si trovi a meno di 60 centimetri di distanza da una parete laterale e se gli altoparlanti sono collocati su scaffali o in un mobile, disponeteli in modo che le loro parti frontali siano almeno a filo con la parte frontale del mobile. Metteteli al livello degli orecchi degli ascoltatori seduti se ciò è fattibile.

Altoparlanti surround sinistro e destro: gli altoparlanti RVX sono stati progettati in modo da adattarsi, sia acusticamente che esteticamente, alla linea di satelliti Reference. Consultate il rivenditore Klipsch per individuare il modello di satellite Reference adatto.

Il punto migliore in cui disporre altoparlanti utilizzati come altoparlanti surround è sulle pareti o contro di esse, ai lati dell'area di ascolto, da una posizione adiacente a quella di ascolto, sino a circa 20 gradi dietro di essa. Collocateli sopra il livello degli orecchi degli ascoltatori seduti (a un'altezza di circa 1,5 - 2,1 metri) ma non metteteli contro il soffitto.

Orientateli in linea retta attraverso la stanza o indietro leggermente verso la parete posteriore per ottenere un suono più diffuso, oppure verso la posizione di ascolto per ottenere un suono più diretto.

Poiché il design dei satelliti modello Reference consente grande flessibilità, si possono conseguire buoni risultati anche con configurazioni che si discostano notevolmente da quella ideale.

REFERENCE SERIES

Altoparlanti posteriori surround: se l'impianto supporta il sistema Dolby Digital EX, il THX Surround EX o il DTS-ES a 7.1 o 6.1 canali, potete collocare uno o due altoparlanti dietro l'area di ascolto perché funzionino come altoparlanti posteriori surround. Così come per gli altoparlanti surround sinistro e destro, la posizione ottimale è sopra il livello degli orecchi degli ascoltatori seduti. Se userete un solo altoparlante surround posteriore, centratelo dietro l'area di ascolto; se ne userete due, disponeteli abbastanza vicini fra di loro. Con questo tipo di impianto, i regolari altoparlanti surround sinistro e destro vanno disposti in modo che siano adiacenti all'area di ascolto anziché leggermente dietro di essa.

REGOLAZIONE DELLA BASE E MONTAGGIO A PARETE

Gli altoparlanti R VX-42 sono fissati alla base mediante una vite che consente di orientarli sia verticalmente – la posizione nella quale vengono spediti, per la collocazione su uno scaffale – che orizzontalmente, ossia nella posizione tipica per l'utilizzo come canale centrale. Per regolare la posizione della base, togliete dalla parte posteriore dell'altoparlante la chiave inserita sulla vite ed estraete quest'ultima dalla base. Spostate la base sul punto di fissaggio centrale e poi riposizionate la chiave nell'apertura in cui era inserita in precedenza la vite (vedi Figura 2).

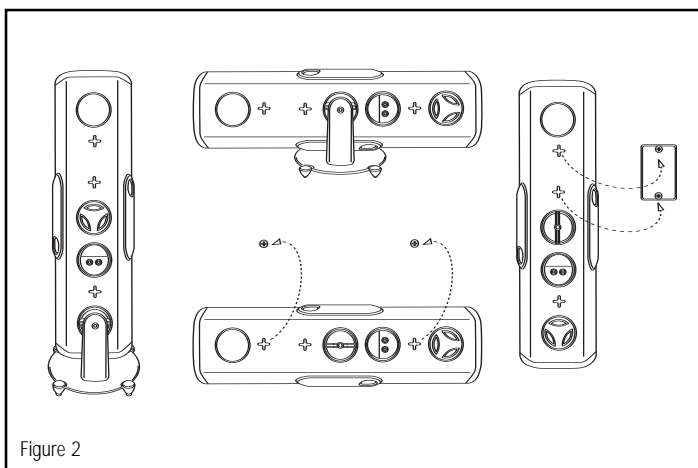


Figure 2

Potete anche utilizzare un sostegno da parete o soffitto, opzionale, che si adatta agli inserti da 3/8 – 16 (filettatura americana) in dotazione.

Vi preghiamo di rivolgervi al rivenditore Klipsch per determinare il modello adatto.

Per installare l'altoparlante R VX-42 seguite queste istruzioni:

1. Posizionate sulla parete, nel punto prescelto, la dima con livella a bolla in dotazione.
2. Contrassegnate la posizione per le viti, secondo il modello che dovete installare.
3. Inserite viti a testa tronco-conica n. 8 da legno per almeno 5 centimetri in un montante di legno o in tasselli per cartongesso di portata adatta. Lasciate sporgere le teste delle viti di circa 0,64 cm (1/4 in) dalla parete e regolate se necessario quando appendete l'altoparlante.
4. Attaccate alla parte posteriore dell'altoparlante gli elementi in gomma autoadesivi in dotazione.
5. Collegate il cavo dell'altoparlante ai terminali di quest'ultimo. Vedere la sezione "Mantenimento della polarità tra altoparlanti e amplificatore".
6. Agganciate i fori sull'altoparlante alle teste delle viti sporgenti dalla parete. Regolate la distanza di cui sporgono le teste delle viti in modo che la base aderisca bene alla parete. Non serrate eccessivamente le viti.
7. Regolate con precisione l'angolo dell'altoparlante se utilizzate un sostegno da parete opzionale che si adatta agli inserti da 3/8 – 16 in dotazione.

CONNESSIONI

Nota bene: per ottenere una buona qualità del suono, è essenziale collegare correttamente gli altoparlanti all'amplificatore o al ricevitore. Seguite scrupolosamente queste istruzioni. Connessioni inadeguate possono causare un malfunzionamento dell'amplificatore o anche danneggiarlo.

Gli altoparlanti Klipsch serie Reference sono cablati internamente mediante conduttori di rame di grande purezza di vari diametri, selezionati accuratamente e attorcigliati in modo da assicurare una propagazione ottimale del segnale a tutte le frequenze. Potrete ottenere i migliori risultati dagli altoparlanti se li collegate all'amplificatore o al ricevitore con cavi di qualità simile, reperibili presso il rivenditore. Vi suggeriamo di adoperare cavi di rame in trefoli, con diametro uguale o maggiore di 1,29 mm (misura americana AWG uguale o minore di 18). Usate cavi di diametro maggiore per i percorsi più lunghi, in modo da ridurre l'attenuazione del segnale dell'amplificatore causata dalla resistenza dei cavi.

TIPI DI CONNETTORE

Conduttori nudi — Staccate i due cavi l'uno dall'altro per circa 2,5 centimetri e asportate l'isolante per circa un quarto di questa lunghezza dall'estremità di ciascuno (l'operazione risulta più facile usando una pinza spellafilati, ma si può utilizzare un normale temperino multiuso per tagliare l'isolante lungo il diametro sino al conduttore nudo). Attorcigliate bene insieme i trefoli di ciascun conduttore. Allentate i dadi su una coppia di terminali cilindrici fino a esporre i fori praticati su di essi e inserite i conduttori nei fori. Serrate bene i dadi a mano. Accertatevi che nessun trefolo di un conduttore tocchi il terminale cilindrico a cui è connesso l'altro conduttore o i trefoli di quest'ultimo. La mancata osservanza di questa precauzione può causare un malfunzionamento dell'amplificatore o anche danneggiarlo.

Pin — Molti tipi di cavi da altoparlante preassemblati sono terminati con spinotti metallici (pin). Allentate i dadi di una coppia di terminali cilindrici fino a esporre i fori praticati su di essi e infilate i pin nei fori. Serrate bene i dadi a mano; non serrate eccessivamente. Accertatevi che nessun pin di un cavo tocchi il terminale cilindrico a cui è connesso l'altro cavo o il pin di quest'ultimo. La mancata osservanza di questa precauzione può causare un malfunzionamento dell'amplificatore o anche danneggiarlo.

Terminali a forcella — Alcuni tipi di cavi da altoparlante hanno terminali a forcella. Allentate i dadi di una coppia di terminali cilindrici e inserite su questi i terminali a forcella. Serrate i dadi a mano e verificate che i terminali a forcella rimangano bloccati. Accertatevi che nessun terminale a forcella di un cavo tocchi il terminale cilindrico a cui è connesso l'altro cavo o il terminale a forcella di quest'ultimo. La mancata osservanza di questa precauzione può causare un malfunzionamento dell'amplificatore o anche danneggiarlo.

SONO DISPONIBILI ALTRI TIPI DI CONNETTORI SPECIALI PER FACILITARE IL COLLEGAMENTO DEGLI ALTOPARLANTI. PER SUGGERIMENTI E ULTERIORI INFORMAZIONI RIVOLGETEVI AL RIVENDITORE KLIPSCH.

MANTENIMENTO DELLA POLARITÀ TRA ALTOPARLANTI E AMPLIFICATORE

Uno degli aspetti più importanti, per quanto riguarda il collegamento degli altoparlanti, è mantenerli alla stessa polarità, ossia in fase. Lo sfasamento può infatti causare una degradazione dei bassi e della distribuzione del suono.

Il metodo più facile per assicurarsi che gli altoparlanti siano cablati in fase consiste nel collegare sempre i terminali di uscita positivo e negativo dell'amplificatore o del ricevitore ai terminali di ingresso corrispondenti degli altoparlanti: positivo ("+", colore rosso) con positivo e negativo ("—", colore nero) con negativo (vedi Figura 3).

La maggior parte dei cavi da altoparlante pre-terminati hanno connettori colorati per facilitare il giusto collegamento tra ingressi e uscite. Se i connettori che intendete usare non sono codificati a colori o se costruirete voi stessi i cavi utilizzando coppie di cavi a due conduttori, controllate i segni di identificazione sull'isolante dei due conduttori; in genere su uno di essi c'è un codice stampato, una striscia o una nervatura.

IMPOSTAZIONI PER LA GESTIONE DEI BASSI E REGOLAZIONE DEL SUBWOOFER

I processori, gli amplificatori e i ricevitori surround digitali utilizzano un sistema detto "gestione dei bassi" per assicurare che le basse frequenze sui vari canali siano trasmesse agli altoparlanti in grado di riprodurle bene e non agli altoparlanti più piccoli, che non possono riprodurle adeguatamente. I satelliti Reference richiedono un subwoofer (o grandi altoparlanti anteriori sinistro e destro) per riprodurre i bassi estremi. Impostate tutti i canali collegati ai satelliti Reference su "Small" dall'apposito menu disponibile sul ricevitore o sul processore. Se i bassi vengono riprodotti da grandi altoparlanti anteriori, impostate i canali che pilotano i loro ingressi su "Large". E se adoperate un subwoofer, impostatelo su "On" o "Yes".

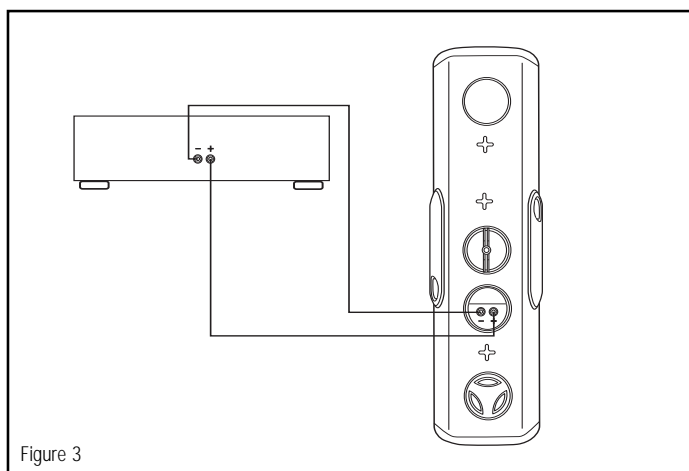


Figure 3

La maggior parte dei circuiti per la gestione dei bassi impiegano una frequenza di crossover di 80 o 100 Hz, adeguata per il limite inferiore dei satelliti Reference. Se l'impianto lo consente, vi suggeriamo di cominciare con 90 o 100 Hz. E se il subwoofer non è collegato a un'uscita dedicata, cominciate regolandone la frequenza di crossover interna su circa 90 o 100 Hz.

CURA E PULIZIA

Per pulire gli altoparlanti basta spolverarli di tanto in tanto. Non applicate mai abrasivi o detergenti forti o a base di solvente. Potete pulire le griglie con l'accessorio a spazzola di un aspirapolvere.


GARANZIA APPLICABILE FUORI DEGLI USA E DEL CANADA


Se questo prodotto viene venduto fuori degli USA o del Canada, esso è coperto da una garanzia conforme alle leggi locali e la validità di tale garanzia è di esclusiva responsabilità del distributore del prodotto stesso. Per richiedere un intervento in garanzia rivolgersi al rivenditore o al distributore.

REFERENCE SERIES

INSTRUÇÕES IMPORTANTES DE SEGURANÇA

1. LEIA estas instruções.
2. GUARDE estas instruções.
3. SIGA todos os avisos.
4. SIGA todas as instruções.
5. NÃO USE este equipamento próximo de água.
6. LIMPE SOMENTE com um pano seco.
7. NÃO bloqueie nenhuma saída de ventilação. Faça a instalação de acordo com as instruções do fabricante.
8. Não instale próximo de nenhuma fonte de calor, como radiadores, fornos ou outros equipamentos (incluindo amplificadores) que produzam calor.
9. NÃO anule o efeito de segurança do plugue de aterramento ou polarizado. Um plugue polarizado tem dois terminais planos, um mais largo que o outro. Um plugue do tipo aterramento tem dois terminais planos e um terceiro pino para aterramento. O terminal plano mais largo e o terceiro pino são fornecidos para sua segurança. Se o plugue fornecido não encaixar na tomada, peça para um electricista trocar a tomada da parede.
10. PROTEJA o fio de energia para que ele não seja pisado ou esmagado, especialmente nos plugues, adaptadores e no ponto em que eles saem do equipamento.
11. USE SOMENTE acessórios/conexões especificados pelo fabricante.
12. USE somente com uma base, tripé, suporte ou mesa especificada pelo fabricante, ou vendida com o equipamento. Quando for usada uma base móvel, tenha cuidado ao movimentar a combinação base/equipamento para evitar ferimentos causados pelo tombamento da caixa.
13. DESCONECTE o equipamento durante tempestades de raios ou quando o equipamento não estiver sendo usado por um longo período de tempo.
14. Toda manutenção deve ser feita por pessoal qualificado. A manutenção só é necessária se o equipamento for danificado de alguma forma, como danos no cabo de energia, líquidos derramados ou objetos caídos dentro do equipamento, exposição do equipamento à chuva ou umidade, operação anormal ou queda do equipamento.

 Este símbolo indica que existem importantes instruções de manutenção e operação na literatura que acompanha a unidade.

 Este símbolo indica a presença de tensão perigosa que constitui um risco de choque elétrico.

ATENÇÃO: Para reduzir o risco de incêndio ou choques elétricos, não exponha o equipamento à umidade ou à chuva.



ATENÇÃO: Existem tensões perigosas neste equipamento. Não existem no equipamento peças que possam ser reparadas pelo usuário. Toda manutenção deve ser feita por pessoal qualificado. ATENÇÃO: Alterações ou modificações que não tenham sido expressamente aprovadas pelo fabricante podem tornar inválida a autoridade do usuário para operação deste dispositivo.

SOBRE SUA AQUISIÇÃO DE PRODUTOS DA KLIPSCH

Agradecemos sua aquisição das caixas acústicas da Klipsch. Depois de ler este manual e conectar seu sistema, você ouvirá o resultado de mais de 55 anos de engenharia precisa de ponta e pesquisa e desenvolvimento líder no setor. Como todos os produtos da Klipsch, estas caixas acústicas foram fabricadas com a tecnologia com corneta da Klipsch: o projeto utilizado como base fundamental do primeiro produto Klipschorn® desenvolvido em 1946 e de todos os outros produtos lançados posteriormente. A inclusão da corneta permite que as caixas acústicas tenham alta sensibilidade, baixa distorção, resposta de frequência estável e dispersão ampla. Isto resulta em uma potência, nitidez e dinâmica inigualáveis: as características que distinguem o "Som da Klipsch".

Não deixe de preencher o cartão de garantia fornecido ou de registrar o produto on-line no site www.klipsch.com para que possamos atendê-lo melhor.

Mais uma vez, agradecemos por escolher a Klipsch. Esperamos que as suas caixas acústicas tragam vida às suas músicas e filmes durante muitos anos.

GRADE

A caixa acústica pode ser utilizada com ou sem a grade instalada. A grade é fixada magneticamente e pode ser facilmente retirada, bastando para isso puxá-la para a frente. Para recolocá-la, alinhe as bordas da grade com as da caixa acústica.

POSICIONAMENTO

As caixas acústicas Reference RVX foram projetadas para proporcionar máxima flexibilidade e terão bom desempenho em uma ampla gama de configurações. A figura 1 mostra uma configuração típica de cinema em casa, com uma caixa acústica no canal central (RVX-42) em cima da TV, caixas acústicas frontais direita e esquerda (RVX-42 ou RVX-54) ao lado da tela, outro par de caixas acústicas (RSX-4 ou RSX-5) uma de cada lado da área ocupada pelos ouvintes para os surrounds principais, e um terceiro par atrás para o canal surround traseiro em um sistema de 7.1 canais (Dolby Digital EX ou DTS-ES). As recomendações para o posicionamento específico para cada função estão descritas abaixo.

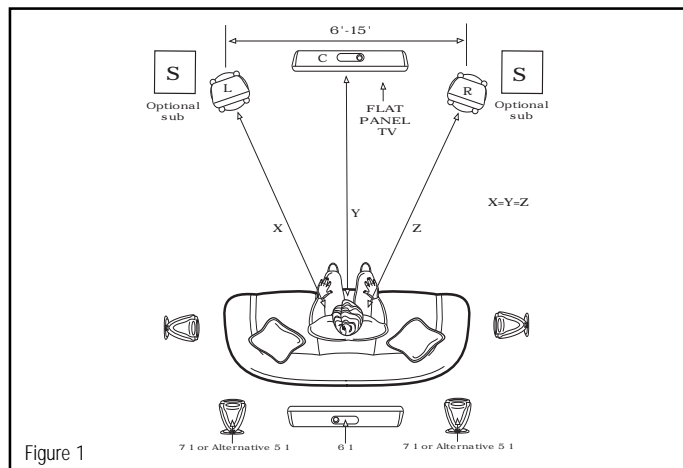


Figure 1

Caixa acústica do canal central: Centralize a caixa acústica diretamente acima ou abaixo da tela de vídeo. A base integrada permite que a caixa acústica seja colocada em cima da TV (ou em uma prateleira acima ou abaixo dela) ou montada na parede (consulte as instruções para montagem em parede). Idealmente, o sonoflector frontal da caixa acústica deve estar alinhado com a superfície frontal da tela. Consulte informações mais detalhadas na seção de ajuste da base.

Caixas acústicas frontais esquerda e direita: As caixas acústicas frontais esquerda e direita devem estar aproximadamente alinhadas com a tela de vídeo e equidistantes dela. A distância entre as caixas acústicas e a tela não é importante, apesar de que separações maiores tendem a produzir sons mais espaçosos. Evite posicionar qualquer uma das caixas acústicas a menos de 60 cm de uma parede lateral, e se estiverem em prateleiras ou em um armário, posicione-as de modo que suas superfícies frontais fiquem ao menos alinhadas com a frente do armário. Se possível, coloque-as na mesma altura dos ouvidos dos ouvintes quando sentados.

Caixas acústicas surround da esquerda e da direita: As caixas acústicas RVX foram projetadas para ser compatíveis acústica e visualmente com a linha de caixas acústicas satélite Klipsch Reference. Entre em contato com o revendedor autorizado Klipsch para informar-se sobre o modelo satélite Reference ideal para seu sistema.

O melhor local para colocar caixas acústicas surround é em paredes ou encostadas em paredes nas laterais da área onde os ouvintes se sentam. Posicione-as ao lado da posição de audição ou a cerca de 20o atrás dela. Monte-as acima da altura dos ouvidos dos ouvintes quando sentados (1,5 a 2,0 m de altura), mas evite colocá-las encostadas no teto. Direcione-as perpendicularmente aos ouvintes, ou um pouco para trás em direção à parede traseira para obter um som mais difuso, ou mais próxima da posição ocupada pelos ouvintes para produzir um som mais direto. O projeto dos modelos satélite Reference proporcionam bastante flexibilidade, e bons resultados podem ser obtidos com configurações significativamente diferentes da ideal.

Caixas acústicas surround traseiras: Se o seu equipamento for compatível com o sistema Dolby Digital EX, THX Surround EX ou DTS-ES surround de 7.1 ou 6.1 canais, uma ou duas caixas acústicas podem ser colocadas atrás da área onde os ouvintes sentarão para atuarem como caixas acústicas surround traseiras. Da mesma maneira que com as caixas surround esquerda e direita, a melhor posição é acima do nível dos ouvidos dos ouvintes quando sentados. Caso seja utilizada apenas uma caixa acústica surround traseira, ela deve ficar centralizada atrás da área destinada aos ouvintes. No caso de duas caixas acústicas, elas devem ficar posicionadas bem próximas uma da outra. Com este tipo de sistema, as caixas acústicas surround esquerda e direita devem ficar ao lado da área onde os ouvintes sentarão, e não atrás dela.

AJUSTE DA BASE E MONTAGEM EM PAREDE

As caixas acústicas RVX-42 são fixadas em suas bases através de um parafuso que permite que sejam usadas na posição vertical (como despachadas de fábrica) para serem colocadas em prateleiras, ou na posição horizontal, normalmente utilizada para o canal central. Para ajustar a base, retire a chave sextavada da parte traseira da unidade e retire o parafuso da base. Reposicione a base no ponto de montagem central e depois recoloque a chave sextavada no espaço onde estava. (Ver a figura 2).

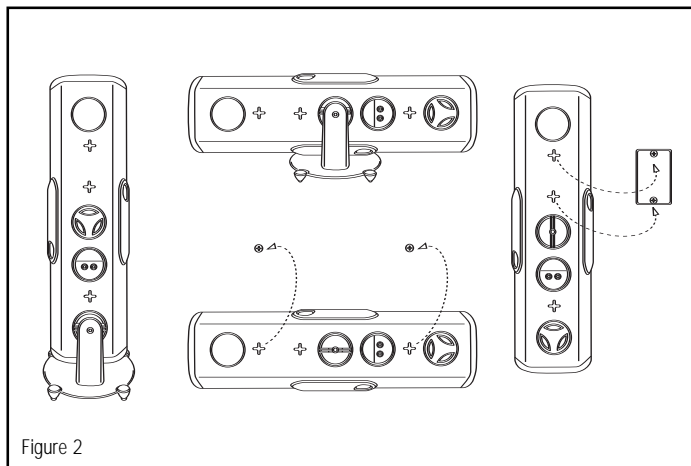


Figure 2

Pode-se também usar um suporte opcional de parede ou teto que se encaixará nos orifícios de 4,8 mm.

Entre em contato com o revendedor autorizado Klipsch para determinar o modelo recomendado para o seu sistema.

1. Para instalar a RVX-42, siga as instruções abaixo:
Localize o modelo para montagem em parede, coloque-a na parede na posição desejada e nivele-a.
2. Marque os locais para parafusos para o modelo que está instalando.
Utilize parafusos para fixação à parede que sejam adequados ao peso que terão de suportar. Deixe as cabeças dos parafusos para fora da parede aproximadamente 6 mm e ajuste conforme necessário ao pendurar a caixa acústica.
3. 4. Fixe os suportes de borracha auto-adesivos fornecidos na parte traseira da caixa acústica.
Conecte o cabo de caixa acústica aos conectores da caixa. Ver "Das caixas acústicas ao amplificador: conexão correta"
4. Encaixe os orifícios da caixa acústica nas cabeças dos parafusos salientes na parede. Ajuste a altura das cabeças dos parafusos para um encaixe justo. Não aperte demasiadamente. Reajuste o ângulo da caixa acústica caso esteja usando um suporte opcional para montagem em parede que se encaixe nos orifícios de 6,3 mm – 16 locais.

CONEXÕES

Observação: Para se obter boa qualidade de som, é importante que a conexão das caixas acústicas ao amplificador ou receiver seja feita corretamente. Siga atentamente estas instruções. Conexões mal feitas podem causar mau funcionamento do amplificador ou danificá-lo.

A fiação interna das caixas acústicas da série Reference da Klipsch é feita com fios de cobre de alta pureza de vários diâmetros, cuidadosamente selecionados e enrolados para garantir a transferência ideal de sinais em todas as frequências. Para obter o melhor desempenho das caixas acústicas, conecte-as ao amplificador ou ao receiver usando cabos semelhantes de alta qualidade disponíveis no revendedor. Recomendamos o uso de fios de cobre de bitola 18 AWG (1 mm) ou trançado de bitola mais grossa. Utilize uma bitola mais grossa para trechos mais longos, para reduzir a perda de potência do amplificador devido à resistência do fio.

ANTES DE MAIS NADA: TIPOS DE CONECTORES

Fio desencapado — Separe os dois condutores cerca de 2,5 cm e remova aproximadamente 0,5 cm de isolamento da extremidade de cada um. (Um alicate descascador de fios facilitará este procedimento, mas pode-se usar também um canivete comum para cortar em volta do isolamento até atingir o fio). Torça individualmente os dois segmentos de fios expostos de cada condutor. Solte as porcas de um par de terminais de conexão até que os orifícios dos terminais de metal estejam expostos. Insira a seguir os fios expostos através dos orifícios. Parafuse as porcas com os dedos para prender os fios. Certifique-se de que nenhuma parte do fio exposto conectado em um terminal de conexão esteja tocando no outro terminal ou em qualquer parte do fio exposto do outro condutor. Caso esta precaução deixe de ser observada em uma das extremidades da conexão, poderá resultar em mau funcionamento ou dano no amplificador.

Pinos — Muitos cabos de caixas acústicas pré-fabricados têm pinos metálicos nas extremidades. Solte as porcas de um par de terminais de conexão até que os orifícios dos terminais de metal estejam expostos. Insira a seguir os pinos através dos orifícios. Parafuse as porcas com os dedos para prender os pinos — não as aperte demasiadamente. Certifique-se de que nenhuma parte metálica dos dois pinos ou dos terminais de conexão estejam se tocando. Caso esta precaução deixe de ser observada em uma das extremidades da conexão, poderá resultar em mau funcionamento ou dano no amplificador.

Bornes de conexão — Alguns cabos de caixas acústicas têm na extremidade bornes no formato de U, denominados bornes de conexão. Solte as porcas de um par de terminais de conexão e encaixe os bornes ao redor dos terminais de metal.

Parafuse as porcas com os dedos para prender os bornes e examine-os para confirmar se estão firmemente no lugar. Certifique-se de que nenhuma parte metálica dos dois bornes ou dos terminais de conexão estejam se tocando.

Caso esta precaução deixe de ser observada em uma das extremidades da conexão, poderá resultar em mau funcionamento ou dano no amplificador.

EXISTEM OUTROS TIPOS DE CONECTORES ESPECIAIS PARA FACILITAR A CONEXÃO DAS CAIXAS ACÚSTICAS. CONSULTE O REVENDEDOR AUTORIZADO KLIPSCH PARA OBTER SUGESTÕES E DETALHES ADICIONAIS.

DA CAIXA ACÚSTICA PARA O AMPLIFICADOR: CONEXÃO CORRETA

Um dos aspectos mais importantes sobre a conexão das caixas acústicas é mantê-las na mesma polaridade, ou fase. Se elas forem conectadas fora de fase, ocorrerá degradação de graves e da reprodução do som.

A maneira mais fácil de assegurar que as caixas acústicas estejam conectadas em fase é sempre conectar os terminais de saída positivo e negativo do amplificador ou receiver aos terminais correspondentes nas caixas acústicas: positivo ("+", identificado pela cor vermelha) a positivo e negativo ("–", identificado pela cor preta) a negativo. (Ver a figura 3).

A maioria dos cabos de caixas acústicas pré-fabricados tem conectores identificados por estas duas cores, o que facilita a conexão correta das entradas e saídas. Caso o cabo utilizado não tenha esta característica, ou caso esteja utilizando seu próprio cabo com dois condutores emparelhados, procure por marcas de identificação no isolamento dos dois condutores.

Normalmente, um dos condutores tem uma identificação impressa, uma faixa ou sulco em sua superfície.

REFERENCE SERIES

AJUSTE DO CONTROLE DE GRAVES E AJUSTE DO SUBWOOFER

Os receivers, amplificadores e processadores digital surround usam um sistema conhecido como controle de graves para garantir que as baixas frequências nos vários canais sejam enviadas às caixas acústicas que conseguem processá-las bem, evitando enviá-las a caixas acústicas compactas que não têm esta capacidade. Os satélites Reference necessitam de um subwoofer (ou caixas acústicas esquerda e direita grandes) para reproduzir graves baixos. No menu de configuração da caixa acústica do processador ou do receiver, configure todos os canais conectados às caixas satélite Reference como "Small" [Pequena]. Se você depende de caixas frontais grandes para os graves, configure os canais que as alimentam como "Large" [Grande]. E se estiver usando um subwoofer, configure o subwoofer como "On" [Ativado] ou "Yes" [Sim].

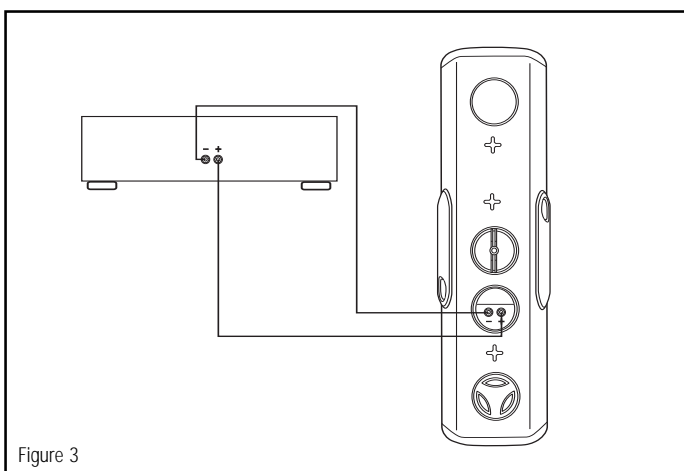


Figure 3

A maioria dos circuitos de controle de graves utiliza uma frequência de transição (crossover) de 80 Hz ou 100 Hz, que é uma boa correspondência para o limite inferior das caixas satélite Reference. Se o sistema oferecer alternativas, recomendamos começar com 90 Hz ou 100 Hz. E se o subwoofer não estiver conectado a uma saída dedicada de subwoofer, comece com uma frequência interna de crossover ajustada em torno de 90 Hz ou 100 Hz.

MANUTENÇÃO E LIMPEZA

A única coisa que você vai precisar fazer para limpar as caixas acústicas é retirar a poeira de vez em quando. Nunca use limpadores abrasivos ou à base de solventes e detergentes fortes. As grades podem ser limpas com a escova que vem com um aspirador de pó.

GARANTIA FORA DOS ESTADOS UNIDOS E CANADÁ

A garantia deste produto, quando vendido para um cliente fora dos Estados Unidos ou Canadá, deve estar de acordo com a legislação em vigor e é de inteira responsabilidade do distribuidor que vendeu o produto. Para obter os serviços aplicáveis previstos na garantia, entre em contato com o representante de quem você comprou o produto ou com o distribuidor do produto.

IMPORTANTES INSTRUCCIONES DE SEGURIDAD

1. LEA estas instrucciones.
2. GUARDE estas instrucciones.
3. RESPETE todas las advertencias.
4. SIGA todas las instrucciones.
5. NO use este dispositivo cerca del agua.
6. LÍMPIELO SOLAMENTE con un paño seco.
7. NO bloquee los orificios de ventilación. Instálelo de acuerdo con las instrucciones del fabricante.
8. NO lo instale cerca de fuentes de calor tales como radiadores, rejillas de calefacción, cocinas u otros aparatos (incluyendo amplificadores) que generen calor.
9. NO neutralice la característica de seguridad del enchufe polarizado o con clavija de conexión a tierra. Los enchufes polarizados tienen dos patas y una es más ancha que la otra. Los enchufes con clavija de conexión a tierra tienen dos patas y una clavija de conexión a tierra. La pata ancha o la clavija son características de seguridad. Si el enchufe del dispositivo no entra en el enchufe de pared, consulte a un electricista para que cambie el enchufe de pared obsoleto.
10. PROTEJA el cordón de alimentación. Evite que lo aprieten o lo doblen en exceso o que lo pisén, especialmente en el punto en que el cordón se une al enchufe, el punto en que el cordón sale del dispositivo y cuando el dispositivo está enchufado.
11. USE SOLAMENTE los accesorios especificados por el fabricante.
12. USE este dispositivo solamente en un carrito, base, trípode, soporte o mesa especificado por el fabricante o vendido con el producto. Cuando use un carrito, tenga cuidado al mover el carrito con el dispositivo encima para evitar lesiones si el conjunto se vuelca.
13. DESENCHUFE este dispositivo cuando haya tormentas eléctricas o cuando no se durante largos periodos de tiempo.
14. REMITA todas las reparaciones al personal de servicio calificado. Acuda a un profesional si el dispositivo ha sufrido desperfectos tales como que se ha dañado el enchufe o el cordón de alimentación, el dispositivo se ha dejado caer, parece no funcionar correctamente o ha estado expuesto a la lluvia o a la humedad, o han caído objetos o se ha derramado líquido en su interior.



Este símbolo indica que el manual que acompaña a esta unidad contiene instrucciones importantes sobre operación y mantenimiento.



Este símbolo indica que hay voltaje peligroso que constituye un peligro de descarga eléctrica dentro de esta unidad.

ADVERTENCIA: Para reducir el riesgo de incendio o descarga eléctrica, no exponga este aparato a la lluvia o a la humedad.



ADVERTENCIA: Los voltajes de este equipo constituyen un peligro de muerte. No hay piezas que el usuario pueda reparar dentro del dispositivo. Remita todas las reparaciones al personal de servicio calificado.

PRECAUCIÓN: Los cambios o modificaciones que el fabricante no apruebe expresamente pueden anular la autoridad del usuario para operar este dispositivo.

ACERCA DE SU COMPRA KLIPSCH

Gracias por la compra de estos altavoces Klipsch. Después de leer este manual y conectar el sistema, usted podrá escuchar los resultados de más de 55 años de una ingeniería rigurosa y una investigación y desarrollo a la vanguardia de su clase. Como todos los productos Klipsch, estos altavoces tienen tecnología de carga por trompeta Klipsch Tractrix®, que es el diseño orientador del primer Klipschorn® desarrollado en 1946 y de todos los productos que han venido después. La carga por trompeta permite a los altavoces tener alta sensibilidad, baja distorsión, respuesta de frecuencia plana y amplia dispersión, lo cual se traduce en la potencia, el detalle y la dinámica sin igual que constituyen el sello distintivo del "Sonido Klipsch".

Llene la tarjeta de garantía adjunta o inscribese en línea en www.klipsch.com para que podamos atenderle mejor.

Nuevamente le agradecemos que haya escogido a Klipsch y esperamos que estos altavoces le den vida a su música y a sus películas durante muchos años.

REJILLA

El altavoz se puede usar con o sin la rejilla en posición. La rejilla se adhiere magnéticamente; se puede quitar fácilmente jalándola para separarla del altavoz y volver a colocar simplemente alineando sus bordes con los de la caja del altavoz.

UBICACIÓN

Los altavoces RVX de Reference han sido diseñados para dar máxima flexibilidad y buen rendimiento en diversas configuraciones. La Figura 1 muestra una configuración normal de cine en casa con un altavoz de canal central (RVX42) sobre el televisor, altavoces frontales derecho e izquierdo (RVX-42 o RVX-54) a los lados de la pantalla, altavoces surround principales (RSX-4 o RSX-5) a los lados del área de audición y un par de altavoces surround posteriores detrás en un sistema de 7.1 canales (Dolby Digital EX o DTS-ES). A continuación se presentan recomendaciones específicas de ubicación para cada función.

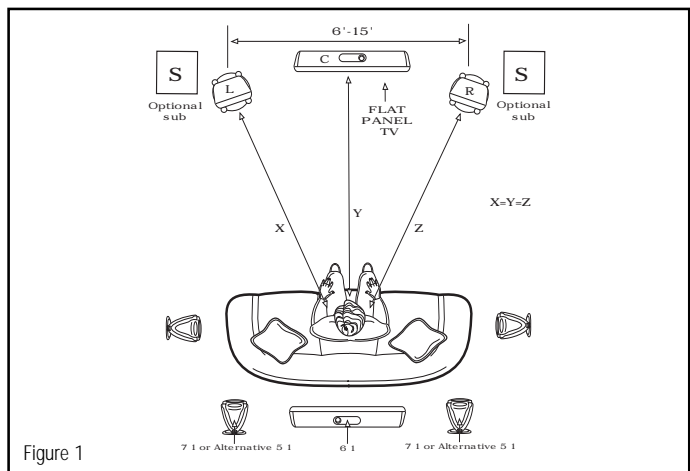


Figure 1

Altavoz de canal central. Centre el altavoz directamente encima o debajo de la pantalla de video. El pedestal integral permite poner el altavoz encima del televisor (o en una repisa justo encima o debajo del televisor) o montarlo en la pared (vea las instrucciones de montaje). Idealmente, el baffle frontal del altavoz debe quedar al ras del frente de la pantalla. Vea la sección sobre ajustes del pedestal para obtener más detalles.

Altavoces frontales izquierdo y derecho. Los altavoces frontales izquierdo y derecho deben estar aproximadamente en línea con la pantalla de video y a la misma distancia de ella.

La distancia a la pantalla no es de importancia crítica, aunque una mayor separación tenderá a hacer que el sonido sea más espacioso. Evite que los altavoces queden a menos de 60 cm (2 pies) de las paredes laterales y, si están en repisas o en un armario, colóquelos de manera que su superficie frontal quede por lo menos al ras de la parte de adelante del armario. Colóquelos a la altura del oído del oyente, si es práctico.

Altavoces surround izquierdo y derecho. Los altavoces RVX han sido diseñados para corresponder acústica y cosméticamente a la familia de altavoces satélite Reference de Klipsch. Consulte al distribuidor autorizado de Klipsch para ver qué modelo de satélite Reference es apropiado para usted.

La mejor ubicación de los altavoces empleados como altavoces surround es cualquier punto de las paredes o contra ellas a los lados del área de los asientos, desde una posición adyacente hasta 20 grados detrás de tal área. Móntelos más arriba de la altura del oído de los oyentes sentados (de 1.50 a 1.80 m {5 a 6 pies} de altura) pero evite colocarlos contra el cielo raso. Oriéntelos directamente hacia el otro lado de la sala o ligeramente hacia la pared de atrás para obtener un sonido difuso, o hacia la posición del oyente para obtener un sonido directo. El diseño de los modelos satélite Reference permite gran flexibilidad y se pueden obtener buenos resultados en configuraciones que se diferencian considerablemente del ideal.

Altavoces posteriores surround. Si sus aparatos electrónicos aceptan Dolby Digital EX, THX Surround EX, o Surround DTS-ES de 7.1 ó 6.1 canales, usted puede colocar uno o dos altavoces detrás del área de los asientos para que funcionen como altavoces surround posteriores. Tal como con los altavoces surround izquierdo y derecho, la ubicación óptima es por encima

REFERENCE SERIES

del nivel del oído del oyente sentado. Si tiene solamente un altavoz surround posterior, debe estar centrado detrás del área de audición; si está usando dos, deben colocarse bastante juntos. Con este tipo de sistema, los surround derecho e izquierdo normales deben colocarse en posición adyacente al área de los asientos y no detrás.

AJUSTE DEL PEDESTAL Y MONTAJE EN LA PARED

Los RVX-42 se fijan en sus pedestales por medio de un perno que permite colocarlos en posición vertical o en la orientación en que se envían de fábrica: horizontalmente o dispuestos para colocación en repisas, que es lo normal para altavoces de canal central. Para ajustar la base, quite la herramienta de perno de pedestal de la parte de atrás de la unidad y con ella quitele el perno al pedestal. Coloque el pedestal en el punto de montaje central y vuelva a colocar la herramienta en la abertura en que estaba anteriormente (Vea la Figura 2).

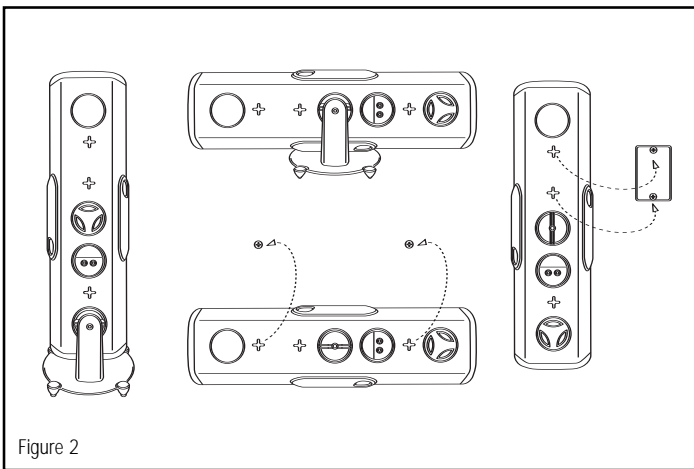


Figure 2

Puede usar una montura opcional de pared o cielo raso que se ajuste a los insertos suministrados de 3/8 de plg. – 16.

Vea al distribuidor autorizado de Klipsch para determinar el modelo correcto para usted.

Para instalar el RVX-42, siga las instrucciones especificadas a continuación:

1. Ubique la plantilla de montaje con nivel de burbuja que se suministra y colóquela en la pared en la posición deseada.
2. Marque la posición de los tornillos para el modelo que está instalando.
3. Atornille tornillos N° 8 de cabeza troncoconica para madera (de por lo menos dos pulgadas de longitud) en un par de madera o use anclas para pared de pirca con el valor nominal de carga apropiado. Deje que las cabezas de los tornillos sobresalgan de la pared aproximadamente 1/4 de plg. y ajústelos según sea necesario cuando cuelgue los altavoces.
4. Fije las almohadillas de goma autoadheribles a la parte de atrás del altavoz.
5. Conecte el cable del altavoz a las terminales de los altavoces. Vea la sección "De los altavoces al amplificador. Mantenimiento de la polaridad".
6. Enganche los agujeros en forma de ojo de cerradura de los altavoces en las cabezas de tornillo que sobresalen de la pared. Ajuste la altura de los tornillos para lograr un buen ajuste. No apriete en exceso.
7. Afine el ángulo de los altavoces si está usando una montura opcional de pared que se ajuste a los insertos suministrados de 3/8 de plg. – 16.

CONEXIONES

Nota. La conexión correcta de los altavoces al amplificador o receptor es de importancia vital para obtener buena calidad de sonido. Siga estas instrucciones cuidadosamente. Las conexiones descuidadas pueden dañar o hacer fallar el amplificador.

Los altavoces Reference de Klipsch vienen cableados internamente con cable de cobre de alta pureza de varios calibres, seleccionados y enrollados cuidadosamente para asegurar una transferencia óptima de la señal a todas las frecuencias. Usted obtendrá el mejor rendimiento de los altavoces si los conecta al amplificador o receptor con cable de calidad similar que su proveedor

puede suministrarle. Recomendamos que use cable trenzado de cobre calibre 18 o más pesado (menor calibre). Use cable de menor calibre (más pesado) para trayectos largos a fin de minimizar la pérdida de potencia del amplificador debida a la resistencia del cable.

PERO PRIMERO: TIPOS DE CONECTORES

Cable sin aislamiento. Despegue los conductores aproximadamente una pulgada y quite aproximadamente 1/4 de pulgada de aislamiento de los extremos. (Esto se simplifica con un pelacables, pero se puede usar una navaja de bolsillo común y corriente para cortar alrededor del aislamiento hasta el metal dentro del cable.) Trence apretadamente las hebras de los conductores individuales. Afloje las tuercas de un par de terminales hasta que se vean los agujeros a través del metal, luego inserte la parte sin aislamiento de los cables a través de los agujeros. Atornille las tuercas a mano hasta el conductor. Asegúrese de que las hebras del conductor conectado a una terminal no toquen ni la otra terminal ni las hebras del otro conductor. No tomar esta precaución en cualquiera de los extremos de la conexión puede dañar o hacer fallar el amplificador.

Clavijas. Muchos cables de altavoz prefabricados terminan en clavijas de metal. Afloje las tuercas de un par de terminales hasta que se vean los agujeros a través del metal, luego inserte las clavijas a través de los agujeros. Atornille las tuercas a mano hasta las clavijas. No las apriete en exceso. Asegúrese de que no haya contacto de metal a metal entre las dos clavijas o terminales. No tomar esta precaución en cualquiera de los extremos de la conexión puede dañar o hacer fallar el amplificador.

Orejetas de pala. Algunos cables de altavoz vienen terminados en conectores en forma de U llamados orejetas de pala. Afloje las tuercas de un par de terminales, luego inserte las orejetas de pala alrededor de las terminales. Atornille las tuercas a mano hasta las orejetas de pala e inspecciónelas para asegurarse de que están firmemente en posición. Asegúrese de que no haya contacto de metal a metal entre las orejetas de pala o las terminales. No tomar esta precaución en cualquiera de los extremos de la conexión puede dañar o hacer fallar el amplificador.

HAY OTROS TIPOS DE CONECTORES ESPECIALES PARA FACILITAR EL CABLEADO DE LOS ALTAVOCES. CONSULTE A SU DISTRIBUIDOR AUTORIZADO KLIPSCH PARA QUE LE DÉ SUGERENCIAS Y MÁS DETALLES.

DE LOS ALTAVOCES AL AMPLIFICADOR: MANTENIMIENTO DE LA POLARIDAD

Uno de los aspectos más importantes del cableado de altavoces es mantener la polaridad o fase. Si los altavoces se conectan desfasados, los bajos y la imagen de sonido se degradan.

La manera más fácil de asegurar que los altavoces estén cableados en fase es conectar siempre las terminales de salida positiva y negativa del amplificador o receptor a las terminales de entrada correspondientes de los altavoces: positiva ("+", roja) a positiva y negativa ("–", negra) a negativa (vea la Figura 3).

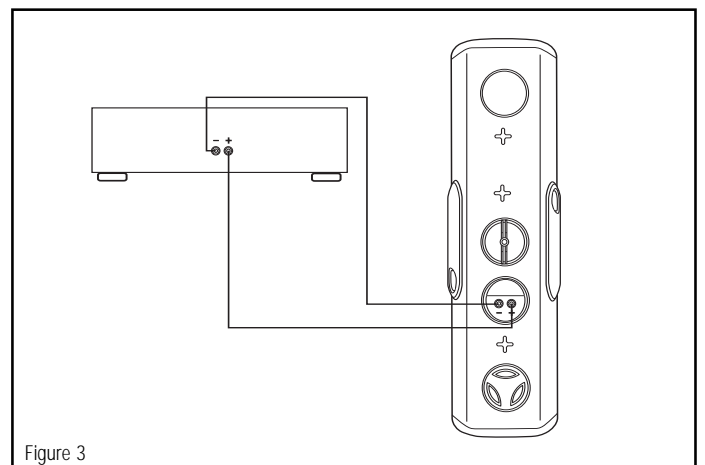


Figure 3



La mayoría de los cables de altavoz prefabricados tienen conectores de colores que facilitan la correspondencia correcta entre entradas y salidas. Si los suyos no son así, o si usted está haciendo sus propios cables con cables de altavoz de dos conductores pegados, busque marcas de identificación en el aislamiento de los conductores. Normalmente hay letras, una banda o un resalto a lo largo de uno de los conductores.

CONFIGURACIONES DE ADMINISTRACIÓN DE BAJOS Y AJUSTES DE SUBWOOFER

Los procesadores, amplificadores y receptores digitales de sonido surround usan lo que se conoce como administración de bajos para asegurar que las frecuencias bajas de los diversos canales se envían a los altavoces que pueden manejarlas bien y no a los altavoces pequeños que no pueden hacerlo. Los altavoces satélite Reference requieren un subwoofer (o altavoces frontales izquierdo y derecho grandes) para reproducir los bajos de baja frecuencia. En el menú de configuración de altavoces del procesador o el receptor, fije todos los canales conectados a los altavoces satélite Reference en "Pequeño" (Small). Si depende de altavoces frontales grandes para los bajos, fije los canales que los alimentan en "Grande" (Large). Si está usando un subwoofer, fije el canal de subwoofer en "Activado" (On) o "Sí" (Yes).

La mayoría de los circuitos de administración de bajos emplean una frecuencia de crossover de 80 Hz o 100 Hz, lo cual corresponde bien al límite inferior de los satélites Reference. Si su sistema le ofrece la opción, le recomendamos que comience con 90 Hz o 100 Hz. Si el subwoofer no está conectado a una salida de subwoofer dedicada, comience con su crossover interno fijado en aproximadamente 90 Hz o 100 Hz.

CUIDADO Y LIMPIEZA

Lo único que se necesita para limpiar los altavoces es quitarles el polvo de vez en cuando. No les aplique nunca limpiadores a base de solvente o detergentes fuertes. Las rejillas se pueden limpiar con el accesorio de escobilla de la aspiradora.

GARANTÍA FUERA DE LOS ESTADOS UNIDOS Y CANADÁ

Si este producto se vende a un consumidor fuera de los Estados Unidos o Canadá, la garantía deberá cumplir con las leyes correspondientes y será responsabilidad exclusiva del distribuidor que lo suministró. Para obtener cualquier servicio de garantía aplicable, comuníquese con el minorista que le vendió este producto o con el distribuidor que lo suministró.

參考系列揚聲器

重要安全說明

- 1 閱讀本說明書。
- 2 保管本說明書。
- 3 留意一切警告。
- 4 根據本說明書的全部內容使用。
- 5 使用本裝置時切勿靠近水。
- 6 只能使用幹布進行清潔。
- 7 切勿堵塞任何通風口。根據廠家提供的說明進行安裝。
- 8 安裝時切勿靠近任何熱源，包括散熱器、調溫器、爐子以及其他發熱設備（含放大器）等。
- 9 本設備的電源，必須插入適合於當地電源極性及接地標準的電源插頭。
- 10 注意電源線的保護，避免踐踏或擠壓，特別是插頭、插座處及連接本設備的電源線所經過的地方。
- 11 只使用廠家指定的附帶裝置/附件。
- 12 只使用廠家指定的或與本設備配套銷售的推車、支架、三腳架、托架、或桌子等。使用推車時，請小心移動推車/設備元件，避免其傾倒而損傷。
- 13 雷雨天或長期不使用本設備時，請將插頭拔出。
- 14 把本設備交給有資格的人員進行所有的維修工作。如果本設備受到任何形式的損傷，如發生電源線或插頭損壞、液體滲入或物體掉入本設備內、本設備受雨淋或受潮、不正常運行、墜落等情形時，需對本設備進行維修。



該符號表示本單元所附資料中有重要的操作和維護說明。



該符號表明本單元內部存在可能造成觸電的危險電壓。

警告：避免引起火災或觸電，切勿讓本設備受雨淋或受潮



警告：本設備的電壓可能對生命造成危險。本設備內無用戶可維修的部件。請將所有維修工作交與具維修資格之人士。

注意：未經廠家明確批准的改變或改裝可能導致用戶失去操作本裝置的權力。

KLIPSCH產品銷售說明

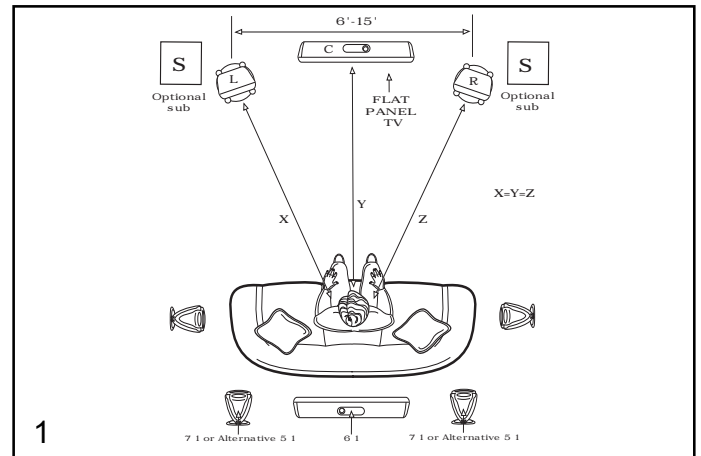
感謝您購買Klipsch揚聲器。在閱讀完本手冊並按照手冊連接好音響系統之後，您將聽到其美妙動聽的聲音，這種聲音源自五十五年多來嚴格的工程研發和業內領先的研發成果。與所有Klipsch產品一樣，您購買的揚聲器同樣採用了Klipsch Horn-loaded Technology專利技術。這項專利技術在1946年開發出的首台Klipschorn®產品的主導設計中得以採用。所有後續產品的主導設計也均採用了這項專利技術。使用Horn-loading技術能提高揚聲器的靈敏度，減少失真，獲得平滑的頻率回應和寬廣的頻散效果，使您能獲得無與倫比的功率、聆聽到精緻的細節和動感的效果。這項技術樹立了“Klipsch之聲”的品牌。請您務必填寫本手冊後附的質量保證卡，或上www.klipsch.com網站填寫質量保證卡，使我們能更好地為您服務，再次感謝您購買Klipsch產品，我們希望Klipsch揚聲器能夠長久為您播放音樂和電影時，帶給您身臨其境的感覺揚聲器。

面網

安裝面網與否，並不影響您使用揚聲器。面網透過磁鐵吸附在揚聲器上，向前拉動面網，可以輕鬆地把它從揚聲器上摘下來。安裝面網時，您只需把面網的邊緣與揚聲器邊緣對齊就可以了。

擺放

按照設計，參考系列RVX揚聲器可提供最大靈活性。此揚聲器在各種配置中均表現良好。圖1展示了典型的家庭影院配置，中間聲道揚聲器(RVX-42)擺放在電視機的上面。左前、右前揚聲器(RVX-42或RVX-54)擺放在螢幕側面，另外一對分立式揚聲器(RSX-4或RSX-5)擺放在收聽區域的兩側，以獲得主環繞效果。在7.1聲道系統（杜比數位EX系統或DTS-ES系統）中，第三對揚聲器擺放在收聽區域的後面，以播放後環繞聲道，下面針對具體性能，推薦具體的擺放方法。



中間聲道揚聲器：直接把揚聲器居中擺放在電視螢幕的上面或下面。揚聲器配有一體化座架，可以擺放在電視機頂部（或擺放在緊靠電視機上面或下面的架子上），也可以固定在牆壁上（參見把揚聲器安裝在牆壁上的說明）。理想情況下，揚聲器前擋板應該與螢幕表面對齊。詳見座架調整部分說明。

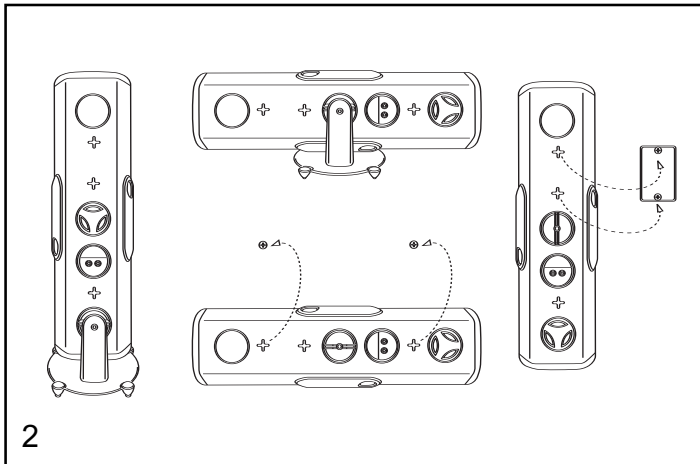
左前、右前揚聲器：左前、右前揚聲器大致應該與電視機螢幕對齊成一個平面。另外，左右揚聲器與電視螢幕的距離應大致相等。雖然揚聲器與螢幕的距離並不重要，但是，距離遠，您會感覺聲音是從更加寬廣的區域發出來的。任何揚聲器與側面牆壁的距離應超過兩英尺。如果揚聲器是擺放在架子上或在櫃檯內，揚聲器的擺放位置要使它們至少與櫃檯前面板成一個平面。擺放高度要盡可能與收聽者就座時的耳部高度對齊。

左右環繞揚聲器：在聲學和外觀上，RVX揚聲器是配合Klipsch參考系列衛星揚聲器而設計的。請接洽Klipsch授權經銷商，瞭解哪一款參考系列的衛星揚聲器適合您。揚聲器最好放在就座區域兩邊的牆壁上或靠牆壁放置，從收聽位置附近到收聽位置後面大約20度左右的任何位置均可以擺放。揚聲器的安放高度要高於聽者耳朵的高度（高度約5至7英尺），但要避免緊靠天花板。揚聲器可正直擺放，使其正面延長線穿過房間，也可以稍微朝向後面牆壁以散發聲音或朝向收聽位置以發出直接的聲音。根據設計，參考系列衛星揚聲器可以非常靈活地擺放。不過，與理想相去甚遠的擺放方式也可能帶來良好的聆聽效果。

後環繞揚聲器：如果您的音響設備支援杜比數位EX系統、THX環繞EX系統、或DTS-ES 7.1或6.1系統的聲音環繞功能，那您就可以在就座區域的後面擺放一個或一對揚聲器作為後環繞揚聲器。至於左右環繞揚聲器，其最佳位置是擺放在高於聆聽者耳部高度的地方。如果您僅使用一個後環繞揚聲器，則需要在收聽區域後面居中放置這個揚聲器；如果您使用兩個揚聲器，那麼這兩個揚聲器之間的距離不能太遠。對於這類系統，常規的左右環繞揚聲器應該靠近就座區域，而不是位於就座區域後面。

揚聲器座架的調整和在牆壁上固定揚聲器

FVX-42揚聲器通過一個螺栓與座架相連。這樣，揚聲器可以像出廠時那樣朝向垂直方向，揚聲器擺放於架頂時，需要垂直朝向；揚聲器也可以朝向水平方向，通常用於中間聲道擺放場合。如需調整底座，在裝置的後部，卸下“L”形的座架螺栓工具，並從座架上卸下螺栓。把座架調整到中間安裝點，然後把座架螺栓工具再放入開口處(此開口原來安裝有座架螺栓)。(參見圖2)。



您也可以使用牆壁或天花板安裝件(選購件)，以配合我們提供的16個3/8英寸嵌入件安裝。

請洽Klipsch 授權經銷商，確定適合您安裝的型號。

安裝FVX-42揚聲器的步驟如下：

1. 找出我們提供的牆壁固定用墊板，上面配有氣泡水平裝置。把墊板固定到牆壁所需位置。
2. 標記適合您型號的安裝螺絲位置。
3. 把8號平頭木螺絲(長度至少為兩英寸)擰入木立筋或乾牆的牆錐，牆錐需要有相應的額定承載能力。螺絲頭需從牆壁表面突出大約1/4英寸。在懸掛揚聲器時，此突出長度應根據需要進行調整。
4. 把我們提供的自粘式橡膠墊粘到揚聲器上。
5. 把揚聲器佈線連接到揚聲器的接線柱上。參見「從揚聲器到功放：按規則連接」一節的說明。
6. 把揚聲器栓孔勾到從牆壁突出來的螺絲頭上。調整螺絲頭的高度，使其與栓孔緊密配合。不要過度擰緊。
7. 如果採用可選件的牆壁安裝件以配合我們提供的16個3/8英寸嵌入件，那麼請微調揚聲器的角度。

連線

註：為了獲得良好的音質，必須把揚聲器正確地連接到功放或接收器。請按照本指南進行連接，不良的連接可能會導致功放故障或損壞。

Klipsch 參考系列揚聲器內部佈線採用多線號高純度銅導線，通過精心選擇和纏繞這些導線，我們確保在任何頻率下提供最佳信號傳輸質量。如果您採用經銷商所提供的同等級的導線來連接揚聲器到功放或接收器，則可獲得最佳的音響性能。如果佈線較長，我們建議您採用通用線號為18號的鋼紋線或更粗的(通用線號更低的)鋼紋線，以減少因線路電阻所引起的功放的功率損失。

首先考慮：連接器類別

裸線：拆開兩條導線約一英寸長，把每根導線頭的絕緣層剝開約1/4英寸(用裸線鉗操作更簡便，您也可以使用普通刀把絕緣層沿著導線切開。)把每根導線的絞線絲鬆緊。擰松一對接線柱上的螺帽，直到露出橫穿接線柱的小孔，然後把裸線穿過小孔。用手擰緊螺帽，使其接觸到線上。確保兩個接線柱之間或一個接線柱與其他連接器之間不會有絞線的接觸，否則，功放可能出故障或損壞。

接頭：許多預製的揚聲器電纜配有金屬接頭。鬆開一對接線柱的螺帽，直至露出橫穿過接線柱的小孔。然後把接頭穿過此小孔。用手擰緊螺帽，使其接觸到線上。確保兩個接腳之間或兩個接線柱之間沒有金屬接觸，否則功放可能出故障或損壞。

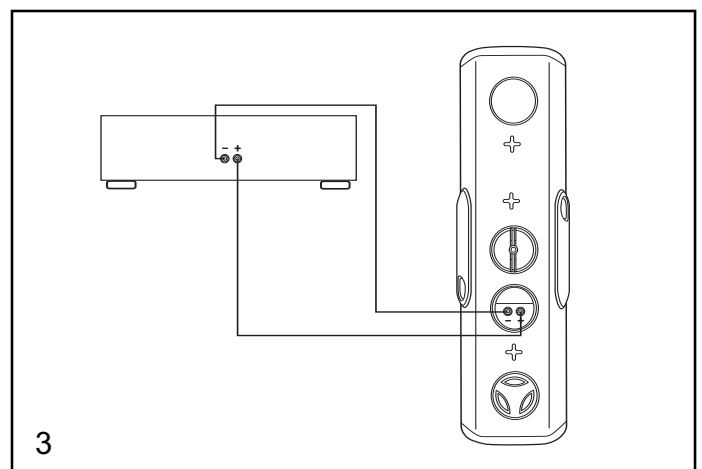
平接線片：一些揚聲器電纜的電纜頭上帶有所謂「平接線片」的U形連接片。擰松一對接線柱上的螺帽，把平接線片滑入並圍住金屬柱。用手擰緊螺帽，使其接觸到接線柱上。檢查其是否鬆動，確保連接牢固。確保兩個接線片或接線柱之間沒有金屬接觸，如果任何一根接線不按上述的要求連接，則可能會導致功放出故障或損壞。

我們還有其他類型的專用揚聲器連接器可供選擇。欲獲得建議，並進一步瞭解情況，請聯絡Klipsch授權經銷商。

從揚聲器到功放：按規則連接

連接揚聲器時，最重要的是使其極性和相位一致。假如連接時相位相反，低音和音響質量將會下降。

確保揚聲器連接時相位相同的最簡便方法是把功放或接收機上的正負極輸出端子連接到揚聲器上的相應輸入端子上：正極(紅色為“+”)接正極，負極(黑色為“-”)接負極(如圖3)。



多數配有預製接頭的揚聲器電纜，其接頭帶顏色，以便於正確連接輸出和輸入端子。假如您的電纜沒有帶色標的連接頭，或您用兩根成對的導線自製連接線，可以在兩根導線的絕緣層上找到識別標誌。通常，一條導線上會有印刷，色帶或有塑造的隆起。

參考系列揚聲器

低音管理設置和超低音揚聲器調整

數位環繞聲接收機、功放和處理器使用所謂的低音管理來確保各聲道中的低頻信號進入能對其進行良好處理的揚聲器，並且避免其進入無法對其進行處理的小揚聲器。參考系列衛星揚聲器需要配備一個超低音揚聲器（或大尺寸的左前、右前揚聲器）來再現超低音。在接收器或處理器的揚聲器設定功能表上，請把所有連接到參考系列衛星揚聲器的聲道設置為“小(Small)”。如果您採用大尺寸的前置揚聲器再現低音，請把與其連接的聲道設置為“大(Large)”。如果您使用超低音揚聲器，請把超低音揚聲器設置為“啟用(on)”或“是(Yes)”。

多數低音管理電路使用80Hz 或100Hz 交叉頻率，正好符合參考系列衛星揚聲器的下限頻率。如果您的系統讓您選擇下限頻率，我們建議您開始時選擇90Hz 或100Hz。如果您的超低音揚聲器未連接到專用的超低音揚聲器輸出端，請把內部的交叉頻率設置到大約為90Hz 或100Hz，並從此交叉頻率開始調整。

保護和清潔

唯一需要做的事就是偶爾 去超低音揚聲器放大器的灰塵。不要使用任何摩擦性或溶解性清潔劑以及任何粗糙的去污劑。

保固期（適用於美國和加拿大以外的地區）

如果購買本產品的消費者住在美國或加拿大以外的地方，本產品保證將符合適用法律，而且提供該產品的經銷商對該保證負有全部責任。如要獲得任何適用的產品保證服務，請與您購買本產品的經銷商連絡，或者與提供本產品的代理商連絡。

レファレンス シリーズ

重要な安全上のご注意

1. この取扱説明書をお読みください。
2. この取扱説明書をお読みください。
3. 全ての警告事項にご留意ください。
4. 取扱説明書の内容にすべて従ってください。
5. 水気の近くではこの機器は使用しないでください。
6. 掃除には乾いた布のみを使用してください。
7. 換気口を塞がないでください。製造業者の指示事項に従って潔付けてください。
8. ラジエータ、ヒートレジスタ、ストーブ、熱を発生するその他の機器（アンプを含む）などの熱源の近くには据付けないでください。
9. この機器は、電気極性とアースに関する現地規格に適合したプラグを用いてコンセントに差し込むようにしてください。
10. 電源コードが踏まれたり、挟まれることのないように保護してください。特に、プラグ、コンセント、機器との接続部には注意を払ってください。
11. 付属品/アクセサリは、製造業者の指定したのもののみをご使用ください。
12. カート、スタンド、三脚、ブラケット、テーブルは、製造業者の指定したものを、すなわち機器と一緒に販売しているもののみをご使用ください。カートをご使用の際は、カート/機器をまとめて移動する際に横転による怪我がないようご注意ください。
13. 雷雨時や長期間使用しない時には、機器の電源を抜いてください。
14. 全ての点検・修理は適格なサービス担当者に依頼してください。電源コードやプラグに損傷がある場合、機器に液体がこぼれたり物体が落下した場合、機器に雨や水分がかかった場合、動作が正常でない場合、落下した場合など機器何らかの損傷を受けた場合には点検・修理が必要です。

このシンボルは、この装置に付属の印刷物に重要な操作・保守指示事項が記載されていることを示します。

このシンボルは、感電のリスクが伴う危険電圧がこの装置内に存在していることを示します。

警告：火災や感電のリスクを低減させるため、機器に雨や水分がかからないようにしてください。

警告：この機器の電圧は、人命にかかわる危険性があります。内部には、ユーザーによって交換可能な部品はありません。全ての点検・修理は適格なサービス担当者に依頼してください。

注意：製造業者による明示的な許可のない変更や改造をすると、この装置を操作する権利が無効となる場合があります。

Klipsch製品のご購入について

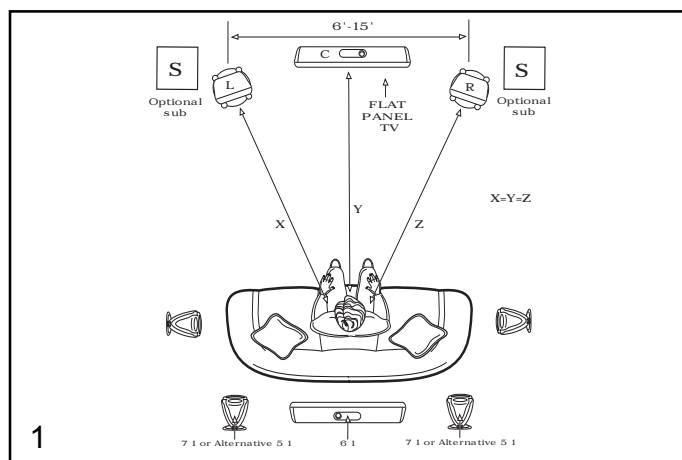
Klipschスピーカーをお買い上げいただきましてありがとうございます。このマニュアルをお読みのうえ、システムを接続していただくと、55年以上にわたる厳格なエンジニアリングと、この分野をリードする研究開発の成果をお聴きいただけます。他の全てのKlipsch製品と同様、お買い求めのスピーカーには、Klipschホーン搭載技術が搭載されています。これは、1946年に開発された初のKlipschorn®に採用されたデザインで、その後の各製品に受け継がれてきました。ホーン搭載により、スピーカーでは高感度、低歪、均一な周波数応答、および広い分散性が得られ、「The Klipsch Sound」の得意とする鋭い音を見えないパワー、細部の表現、およびダイナミクスが実現されます。同封の保証カードにご記入なさるか、www.klipsch.comでオンライン登録をしていただきますと、弊社サービスをご利用いただけます。Klipschを選択いただきましたことに再度感謝の意を表しますとともに、今後も長年にわたり、このスピーカーによって躍動感ある音楽や映画をお楽しみいただけますことを願っております。

格子

スピーカーは、格子を所定の場所に取付けた状態でも、外した状態でも使用できます。格子は磁石取付け式ですので、取外しの際は前方に引くだけ、また格子の縁とスピーカー キャビネットの縁とを揃えるだけで簡単に取付けできます。

配置

レファレンスRVXスピーカーは、柔軟性を最大限実現できるように設計され、非常に多様な構成において性能を発揮します。図1は、7.1チャンネル（Dolby Digital EXまたはDTS-ES）システムで、テレビ受像機の上に中央チャンネルスピーカー（RVX-42）、画面両側に左右の正面スピーカー（RVX-42またはRVX-54のいずれか）、リスニングエリアの横にこれとは別にメインのサラウンドとして一対のスピーカー（RSX-4またはRSX-6）、後方サラウンドチャンネルの役目の第三の対を揃えた一般的なホームシアターのセットアップを示しています。以下は、各機能についての具体的な配置の推奨事項です。



中央チャンネル スピーカー：スピーカーを、ビデオ画面のすぐ上またはすぐ下の中央に配置します。インテグラル スタンドを使って、スピーカーをテレビの上に配置（またはテレビのすぐ上またはすぐ下の棚の上）または壁に取付けることができます（壁取付け方法を参照）。理想的には、スピーカー前面が画面と同一平面になるようにします。詳しくは、スタンドの調節セクションを参照してください。

正面左右スピーカー：正面左右スピーカーは、映像画面とはば一列になるように、またそこから同じ距離に配置します。画面からの距離はあまり重要ではありませんが、遠ざけるほど広がりのある音が得られる傾向にあります。どちらのスピーカーも壁から2フィート（約60cm）より近い位置にならないようにし、棚の上またはキャビネットの中に配置する場合には、その正面が少なくともキャビネットの正面と同じ平面上に揃うようにしてください。

左右のサラウンドスピーカー：RVXスピーカーは、音響的および外観的にKlipschレファレンス サテライト ファミリーのスピーカーとマッチするように設計されています。レファレンス サテライト モデルが相応しいかどうかについては、認定Klipsch販売店までお問合せください。

サラウンドスピーカーとして採用されるスピーカーの推奨される位置は、懸掛けた位置の側方の壁取付けまたは壁に背を向けた配置となり、聴く位置の真横ないしは後方に約20度の位置が最適です。懸掛けたときの耳の高さより高い位置（高さ5〜7フィート [1.5〜2.1m]）ですが、天井には近づけ過ぎないようにしてください。拡散音を増大するには、部屋を垂直に横切るように向けるか後方の壁に向かってわずかに後向きにし、直接音を増大するには聴く位置の方に向けます。レファレンス サテライト モデルの設計では、素晴らしい柔軟性が与えられていますので、最上の配置とはかなり異なる場合でも、十分に良い結果が得られます。

後方サラウンドスピーカー：ご使用の電子装置がDolby Digital EX、THX Surround EX、DTS-ES 7.1チャンネルまたは8.1チャンネルサラウンドに対応している場合、後方サラウンド スピーカーの役目をする1台または2台のスピーカーを、懸掛ける場所の後方に配置することができます。左右のサラウンドと同様、最適な位置は、懸掛けた姿勢での耳の高さよりも上です。後方サラウンド スピーカーを1台のみご使用の場合は、リスニングエリア後方の中央に配置し、2台ご使用の場合はかなり近くに配置するようにします。このタイプのシステムでは、通常の左右のサラウンドは、後方ではなく懸掛けた場所の真横に配置するようにします。

スタンドの調節および壁取付け

RVX-42は、ボルトによるスタンド取付け式で、標用に使用できるように梱包されている通り縦方向に、または中央チャンネル用に一般的な横向きとして使用できます。スタンドの底部を調節するには、装置の裏にあるスタンド ボルト ツールを外し、スタンドからボルトを取外します。スタンドを中央の取付け位置に取付け直してから、スタンド ボルトがあった場所にスタンド ボルト ツールを取付けます (図2参照)。

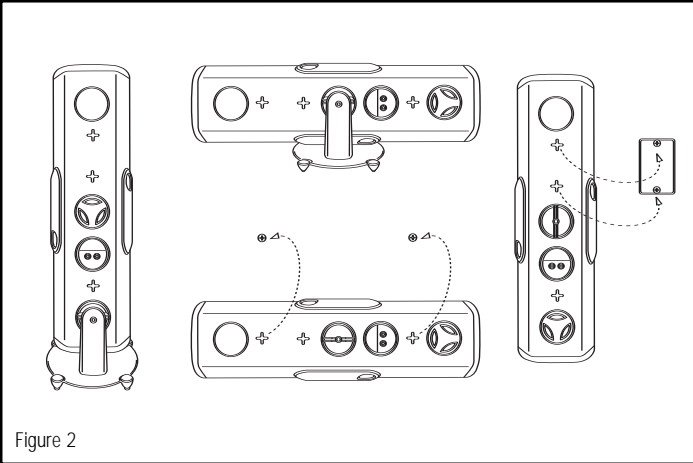


Figure 2

また、備え付けの3/8" - 18の挿入部に適合するオプションの壁用または天井用マウントを使用することもできます。どのモデルが相応しいかの判断は、認定Klipsch販売店にお問合せください。

RVX-42の取付けは、以下の方法に従います。

1. 同封の水準器付き壁取付け用型版を壁のご希望の位置に配置します。
2. 取付けるモデル用のネジの位置に印をつけます。
3. ナベ木ねじ (#8、長さ最低2インチ [約50mm]) をスタッド、または適切な定格保重の乾式壁用取付け具に取付けます。ネジ頭を壁表面から約1/4インチ (約6mm) 突き出した状態にし、スピーカーをかける際に必要に応じて調節します。
4. 付属の自己接着性のゴムパッドをスピーカーの裏面に取付けます。
5. スピーカー線をスピーカー接続端子に接続します。「スピーカーからアンプへ：直線を保つ」を参照してください。
6. スピーカーのキーホールを壁から突き出したネジ頭にかかります。ピッタリ合うようにネジ頭の高さを調節します。締めすぎないでください。
7. 備え付けの3/8" - 18挿入部に適合するオプションの壁用マウントを使用している場合には、スピーカーの角度を微調整します。

接続

注記：スピーカーからアンプやレシーバーへの接続が適切であることが、良質の音を実現するために極めて重要です。以下の指示に注意深く従うようにしてください。接続がいかげんであると、アンプの誤作動や損傷を招くことがあります。

Klipschレファレンス シリーズ スピーカーは、全周波数において最適な信号転送を確保するために、慎重に選択されたうえで巻きつけられた複数ゲージの高純度鋼線で内部配線されています。販売店で市販の同等の品質の線を用いてアンプやレシーバーに接続すれば、スピーカーは最高の性能を発揮します。最低限、18ゲージまたは太め (低めのゲージ) の標準銅線の使用をお勧めします。長期的に線の抵抗によるアンプの電力損失量を低減するためには、太め (太め) のゲージ線を使用します。

まず最初に：コネクタの種類

裸線：2本の導体を約1インチ (約25mm) 引き離し、それぞれ端から約1/4インチ (約6mm) だけ絶縁体を剥ぎ取ります。(ワイヤーストリッパーを使用すれば、この作業が簡単になりますが、普通のナイフで導体を残して切り取ることもできます。) それぞれの導体に裸線を束ねてしっかりと絡み合わせます。一对の接続端子にあるナットを、金属ポストにある穴が見えるまで締め、その穴に裸線を差し込みます。導線が固定されるようにナットを手で締め付けます。一方の接続端子の裸線が、他の接続端子や他の導体のどの裸線とも接触しないようにしてください。接続のどちらかの端でこの注意事項が守られていないと、アンプの誤作動や損傷を招くことがあります。

ピン：多くの既製のスピーカーケーブルは、金属ピンで終端処理されています。一对の接続端子にあるナットを金属ポストにある穴が見えるまで締め、その穴にピンを差し込みます。ピンが固定されるようにナットを手で締め付けます。締めすぎないようにしてください。2本のピンまたは接続端子の間には金属間接触がないようにしてください。接続のどちらかの端でこの注意事項が守られていないと、アンプの誤作動や損傷を招くことがあります。

スベードラグ：一部のスピーカーケーブルは、スベードラグと呼ばれるU字型コネクタで終端処理されています。一对の接続端子にあるナットを締め、スベードラグを金属ポストの周囲に滑り込ませます。ラグが固定されるようにナットを手で締め付け、所定の位置にしっかりと保持されていることを確認します。2個のラグまたは接続端子の間には、金属間接触がないようにしてください。接続のどちらかの端でこの注意事項が守られていないと、アンプの誤作動や損傷を招くことがあります。

スピーカーの接続を簡単にするために、他の種類の特種コネクタが利用できます。ご意見や詳細については、KLIPSCH認定販売店までお問合せください。

スピーカーからアンプへ：正しく行う

スピーカーの接続にあたり最も重要なことのひとつが、極性つまり位相を同一に保つことです。接続の位相に不一致があると、低音やサウンドイメージが劣化します。

スピーカーが同位相で接続されるようにする最も簡単な方法は、常にアンプやレシーバーにあるプラスおよびマイナスの出力端子を適合するスピーカーの入力端子に接続することです。つまり、プラス (+、赤の色コード付き) はプラスに、またマイナス (-、黒の色コード付き) はマイナスに接続します (図3を参照)。

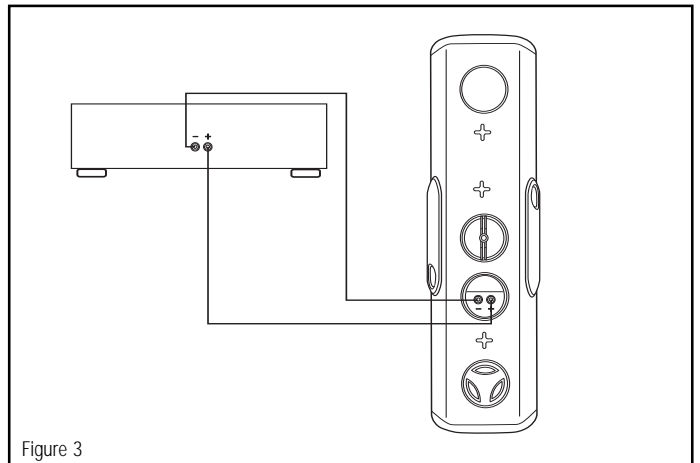


Figure 3

ほとんどの既製のスピーカーケーブルには、出力と入力を正しく一致させることができるように、色コード付きのコネクタがあります。そうでない場合には、または一对の2本の導線から自作する場合には、2本の導体の絶縁体にある識別マークを確認します。普通は一方の導体に沿って印刷、縞模様または成形した隆起などが付けられています。

レファレンス シリーズ

低音マネジメント設定およびサブウーファー調節

デジタル サラウンド サウンドのレシーバーおよびプロセッサでは、低音マネジメントとして知られている機能を使用し、各種チャンネルの低周波がそれを適切に処理しうるスピーカーに確実に送信され、処理できない小型のスピーカーには送信されないようにしています。レファレンス サテライトでは、低域の低音再現に1台のサブウーファー（または大型の正面左右スピーカー）が必要です。レシーバーまたはプロセッサのスピーカー設定メニューで、レファレンス サテライトに接続された全てのチャンネルを、「Small（小）」に設定します。低音が大型の正面スピーカーによる場合には、それへの供給チャンネルを「Large（大）」に設定します。また、サブウーファーを使用する場合、サブウーファーを「ON（オン）」または「Yes（はい）」に設定します。

ほとんどの低音マネジメント回路では、80Hzまたは100Hzのクロスオーバー周波数が採用されており、これは、レファレンス サテライトの下限に適合するものです。ご使用のシステムにこの選択肢がある場合には、まずは90Hzまたは100Hzの使用をお薦めします。また、サブウーファーが専用のサブウーファー出力に接続されていない場合には、まず内部クロスオーバーを約90Hzまたは100Hzに調節してみてください。

手入れおよび掃除

サブウーファーアンプに必要な唯一の手入れは、時々埃を払うことです。研磨性や溶剤性の洗剤、粗い洗剤は一切用いないください。

米国およびカナダ以外での保証

米国またはカナダ以外の顧客に販売された場合に、この製品の保証は通用法に従うものとし、その製品を販売した販売代理店が唯一責任を受け持つことになります。適用される保証サービスを受けるには、この製品をお買い求めになった販売店まで、またはこの製品の供給元である販売代理店までお問合せください。



Register your new Klipsch product now at www.klipsch.com!

(or cut along dotted line and mail)

For multiple speaker purchases, please fill out only one warranty card.

Name: _____

Street Address: _____

City/State/Zip: _____

Home Phone: _____

Work Phone: _____

E-mail Address: _____

Would you like to receive the latest product updates and news via e-mail? Yes No

Product Purchase

Model and serial number must be included to honor your warranty card. For multiple speaker purchases, please fill out only one warranty card.

Model _____ **Serial Number** _____

Model _____ **Serial Number** _____

Model _____ **Serial Number** _____

Model _____ **Serial Number** _____

Model _____ **Serial Number** _____

What store did you purchase your Klipsch products from?

Store Name: _____ **State:** _____

How did you hear about Klipsch? Audio/Home Theater Magazine Other Magazine TV
 Radio Newspaper Trade Show Friend Retail Dealer Direct Mail

Have you purchased Klipsch products before? Yes No

If yes, what products?

Product Name(s): _____

When do you hope to purchase additional loudspeakers? 6 mos. – 1 yr. 1–2 yrs.

How likely are you to consider Klipsch products for your upcoming purchases?

Very likely Somewhat likely Doubtful

If doubtful, why? Don't carry product I'm looking for Too expensive

Klipsch dealer too far away Other

Please tell us about you!

Married Single Student Male Female

Age: 15-17 18-24 25-35 36-45 46-55 55-64 65+

Annual Household Income: Under \$25,000 \$25-35,000 \$35-50,000 \$50-75,000
 \$75-100,000 \$100,000+



**3502 Woodview Trace, Suite 200
Indianapolis, Indiana 46268 USA
1-800-KLIPSCH • www.klipsch.com**

Make sure you register your purchase at www.klipsch.com or return your warranty card so that we may keep you up-to-date on new Klipsch products and promotions. If you have any questions, contact your local authorized Klipsch dealer.

For your records:

Model: _____

Date Purchased: _____

Klipsch Audio Technologies
3502 Woodview Trace, Suite 200
Indianapolis, IN 46268 USA

Place
FIRST CLASS
Postage
Stamp Here